

## Float switch type BA14

### Application and function

The float switch can be used as water level limiter for steam generators as per TRD 401, 402 or 602.

The product corresponds to the EU 2014/68/EU module B and has the CE-mark no. 0035 of the notified body. Applied standards as per EN 13445 / EN 12952 / EN 12953 / AD 2000 or ASME-Boiler.

### Technical basic equipment

- Material according to DIN or ASME
- Protection as per DIN VDE 0470: IP54
- Process connection: flanges as per DIN or ANSI
- Magnetic switch type M130-KG (D-07-D-16324-0)
- Cable gland according to DIN EN 50262: M20x1,5
- Drain plug G ½

### Available (optional) versions

- Protection as per DIN VDE 0470: IP65
- Process connection: welding end, Socket Welding
- Level indication (signal lamps), data sheet D-07-D-16323-0
- Ventilation screw
- Drain valve AV 500 or 520

### Technical data

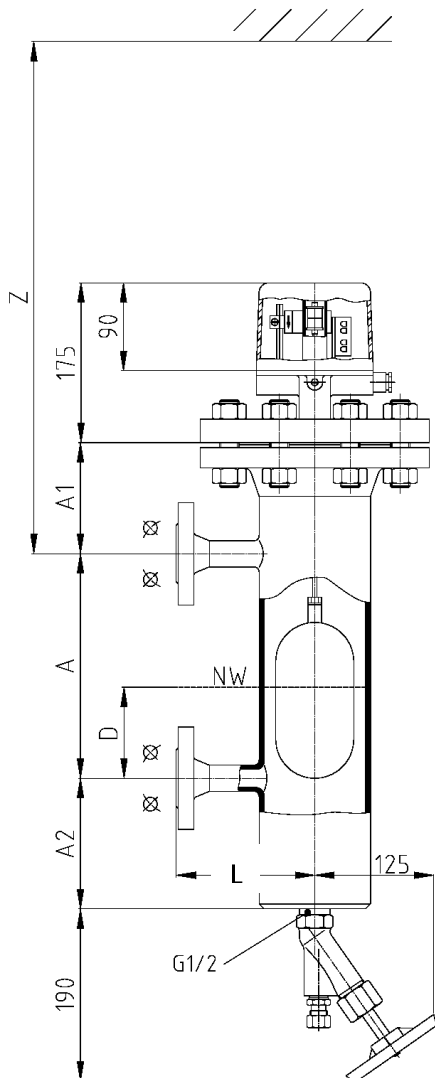
EG-component test	Certificate no.: Z-D-002-10441/14			
Allowable pressure	PS [bar]	32	50	80
Allowable temperature	TS [° C]	239	265	296
Drain valve	Type	AV500	AV520	
	Data sheet	D-09-D-16358-1		

Range of adjustment	W [mm]	40
---------------------	--------	----



## Dimensions

- The component mark is only valid if shutoff valves are installed between process connection and boiler studs. A drain valve is also required
- The functional test is made by lowering the water level in the standpipe



PS	A1	A2	L	Z
32	115	135	140	A-D+465
80	145	155	160	

