

## Drain valve

AV251

### Application and function

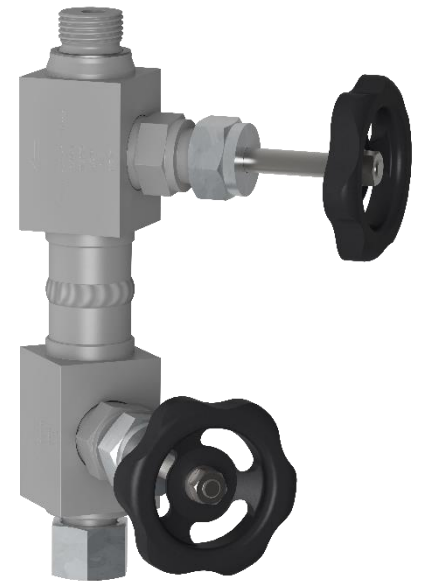
The valves are used for draining or venting. The range of application covers the entire product range of liquid level indicators and float devices, as well as all other pressure-bearing vessels and containers.

### Technical basic version

- Flow DN 8
- Inlet side: External thread BSPP G ½".
- Valve body: P355NH / SA516/70
- Valve stem: Stainless steel
- Steel handwheel

### Optional versions

- Inlet and outlet optionally with:
  - Welding ends according to EN / ASME or customer request
  - Flanges EN / ASME or customer request
  - Thread according to EN / ASME or customer request
  - Cutting ring screw connection according to EN

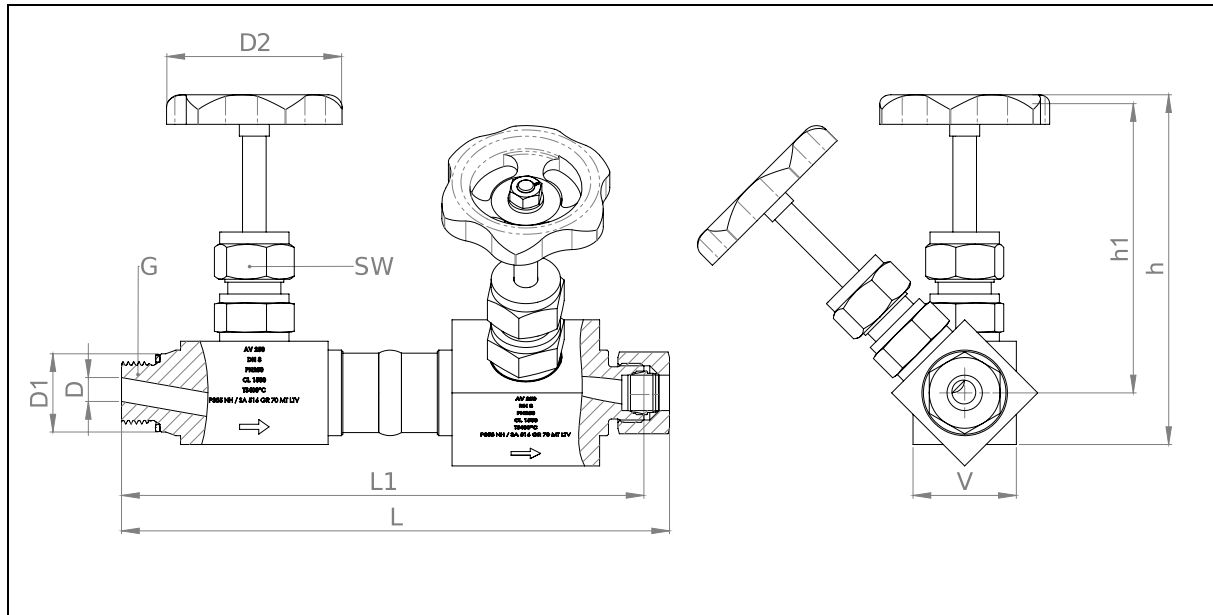


AV251

## Technical data

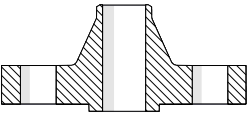
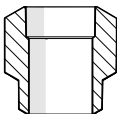
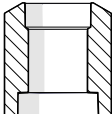
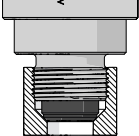
Operating limits AV251	Pressure/temperature mapping
	PN250 according to EN 12516-1 Class 1500 according to ASME B16.34

## Dimensions and sizes



		[mm]	[inch]
Connection thread	G	G 1/2" BSP	
Diameter	D	8	1/3
Connection diameter	D1	26	1
Handwheel diameter	D2	60	2 1/3
Height	h	117	4 3/5
Connection height	h1	100	4
Spanner width	SW	24	1
Square size	V	□35	□1 3/8
Connection length	L1	177	7
Total length	L	185	7 2/7

## Optional versions

Available connections			
			
<i>Flange</i>	<i>Welding end</i>	<i>Socket welding</i>	<i>cutting ring screw connection</i>

## Available dimensions

Inlet	Outlet	Total length [L]		Article-No.
		[mm]	[inch]	
BSP G 1/2"	Cutting ring screw connection DS12	185	7 2/7	15-14733
	Socket Welding 1/2" Class 6000	219	8 5/8	15-14709
	Flange DN15 PN160	217.5	8 4/7	15-14803
Welding end Ø33,4 x 6,35	Socket Welding 1/2" Class 6000	219	8 5/8	15-17923
	Socket Welding 1" Class 3000	219	8 5/8	15-18149

## Spare parts

If the drain valve is damaged, the complete valve must be replaced. If the drain valve is disassembled for maintenance or other reasons, check the thread for damage before assembly, apply suitable lubricant (e.g. *Fuchs Lubritech PBC 1574 High-Temperature Anti-Seize Paste*) and replace the sealing ring.

Pos.	Description	Material	Size	Article number	Quantity
1	Sealing ring	Soft steel	Ø21 x 26 x 1,5mm	40-00099	1
		Stainless steel		40-00128	



## Digital documentation



*Direct download*



*Product page on the Internet*

### Igema GmbH

Antwerpener Str. 1  
48163 Münster  
Germany

www.igema.com

Telephone: +49 25 01 924 24 0  
Telefax: +49 25 01 924 24 99  
info@igema.com

