



## Shut off valve

A120-CS, A140-CS, A150-CS and A190

### Application and function

The shut-off valves are used for the safe shut-off of level indicators to the tank/steam boiler.

The application range of the shut-off valves covers the entire product range of reflective, transparent and bicolor indicators in the pressure range up to 120 bar.

The product complies with EU Directive 2014/68/EU and ASME Boiler and Pressure Vessel Code.

They are always equipped with a quick-connect trapezoidal thread for quick shut-off and a ball self-closing safety function.

### Technical basic equipment

- Valve body made of pressure vessel steel according to DIN and ASME
- Valve inner parts made of stainless steel
- Handle made of aluminium
- Process connection flange PN40 DN20 or DN25
- Ball self-closing for automatic shut-off in case of glass breakage
- With back seal to relieve the stuffing box packing
- Quick-acting closing spindle ( $\frac{1}{3}$  turn)

### Optional versions

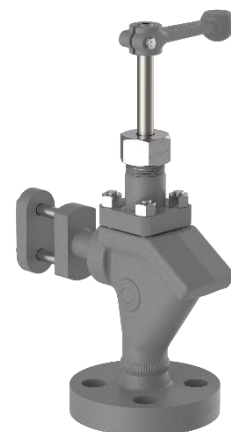
- Sprocket for remote control
- Customised process connections on the A140-CS, A150-CS and A190
- With Live-Load Packing for continuous pre-tensioning of the packing set
- Stainless steel finish



Shut off valve  
A120-CS



Shut off valve  
A150-CS



Shut off valve  
A190

## Technical data

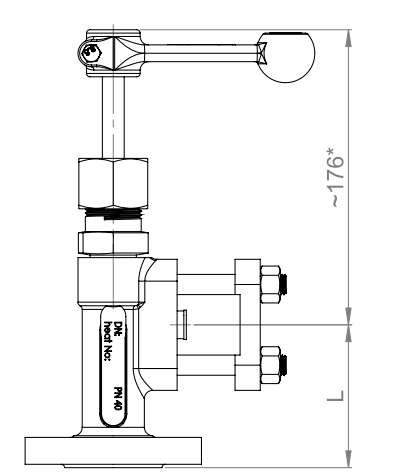
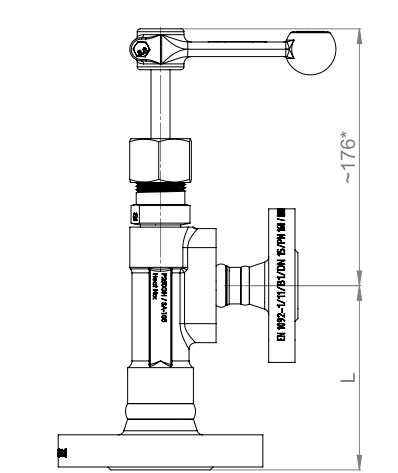
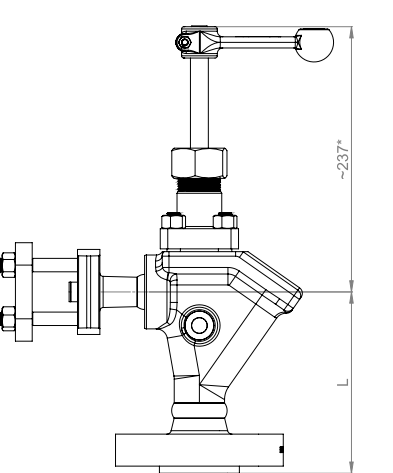
Operating limit A120-CS	Perm.Pressure [PS]	Perm. Temperature [TS]
	32 bar 464 psig	239°C 462°F

Operating limit A140-CS and A150-CS	Perm.Pressure [PS]	Perm. Temperature [TS]
	120 bar 1740 psig	326°C 618°F

Operating limit A190	Perm.Pressure [PS]	Perm. Temperature [TS]
	200 bar 2900 psig	367°C 692°F

The permissible pressure is dependent on the process connection

## Dimensions and sizes

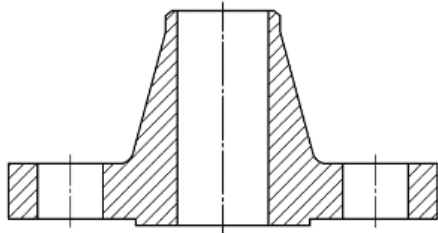
Shut off valve A120-CS	Shut off valve A150-CS	Shut off valve A190
		

\*Dimension differs for other versions

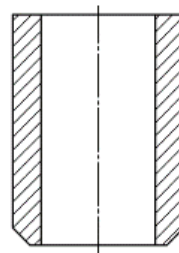
	Type	Process connection	Side connection	L		Article-number
				[mm]	[inch]	
DIN	A120-CS	Flange EN 1092-1 PN 40 DN20	M12 x 48	85	3 1/3	15-12656
		Flange EN 1092-1 PN 40 DN25	M12 x 48	85	3 1/3	15-10773
	A140-CS	Flange EN 1092-1 PN160 DN25	M12 x 48	126	5	15-13673
	A150-CS	Flange EN 1092-1 PN160 DN25	Flange EN1092-1 PN160 DN15	126	5	15-16203
	A190	Flange EN 1092-1 PN320 DN25	Flange EN1092-1 PN320 DN15	170	6 2/3	15-15166
ASME	A140-CS	Flange B16.5 NPS 1" Class 150	M12 x 48	116	4 4/7	15-15148
		Flange B16.5 NPS 3/4" Class 300	M12 x 48	117	4 3/5	15-16952
	A150-CS	Flange B16.5 NPS 1 1/2" Class 1500	Flange B16.5 NPS 1/2" Class 1500	170	6 2/3	15-17029
	A190	Flange B16.5 NPS 3/4" Class 1500	Flange B16.5 NPS 1" Class 1500	161	6 1/3	15-14905

Other process connections for the A140-CS, A150-CS and A190 are possible on request.

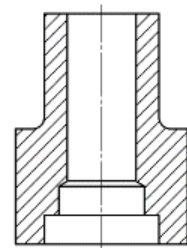
### Process connection options



Flange






Welding end



Socket welding

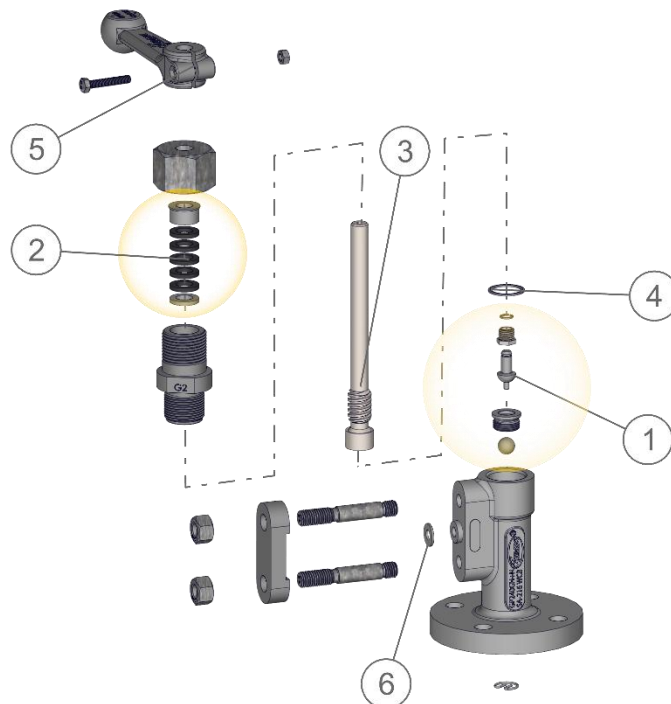
All connection variants are available according to DIN or ASME standard

## Optional versions

Examples of the optional versions		
Chain wheel for remote operation	With socket welding	Live-Load Packing
		
<i>Ex.: A120-CS with chain wheel</i>	<i>Ex.: A140-CS with socket welding</i>	<i>Ex.: installed in the A140-CS-LL</i>

## Spare parts

Pos.	Description	Article-No.	Quantity
1	Cone set, seat, ball	15-00116	1
2	Packing set	15-00113	1
3	Spindle	25-00553	1
4	Sealing ring $\varnothing 22 \times \varnothing 27,5 \times 1,5$ mm	40-00117	1
5	Handle	25-00102	1
6	Sealing ring $\varnothing 9 \times \varnothing 17,5 \times 1,5$ mm	40-00109	1
-	Disc springs for live load packing (n.d.)	40-11375	6





*Direct download*



*Product page on the Internet*

**Igema GmbH**

Antwerpener Str. 1  
48163 Muenster  
Germany

[www.igema.com](http://www.igema.com)

Telefon: +49 25 01 924 24 0  
Telefax: +49 25 01 924 24 99  
[info@igema.com](mailto:info@igema.com)

