



Shut-off Valve

A120-CS und A140-CS

Application and function

The Shut-off valves are used to shut off the indicator safely to the Vessel/Steam Boiler. The Shut-off valves are suitable for the whole product range of Reflex-, Transparent- and Bi-Colour Gauges in the pressure range up to PS 120 bar.

They are generally equipped with a shut-off, a quick-closing trapezoidal thread and a ball self-closing safety function.

Technical basic equipment

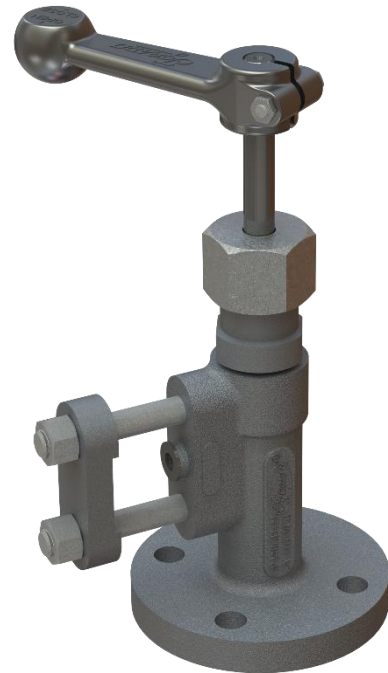
- Valve Body in Carbon Steel, material according to DIN and ASME
- Internal parts made of stainless steel
- Aluminium Hand Lever
- Process Connection DN20 or DN25
- Self-closing ball for automatic shut-off in case of glass breakage
- With back seat for relief of the gland packing
- Quick closing spindle ($\frac{1}{2}$ rotation)

Available (optional) versions

- Lever for remote control
- Specific process connections

Technical data

		A120-CS	A140-CS
Max. Pressure	PS [bar]	32	120
Max. Temperature	TS [°C]	239	326



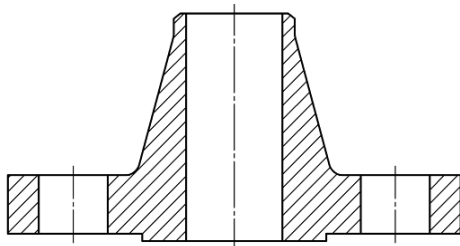
Available process connections *

	Shut Off Valve	Type	DN	PN	Wall thickness acc. to DIN EN 10253-2	Dimension	L (mm)	Article number
DIN	A120-CS	Flange EN 1092-1	20	40	-	-	5	15-12656
	A120-CS	Flange EN 1092-1	25	40	-	-	5	15-10773
	A140-CS	Flange EN 1092-1	25	160	-	-	46	15-13673

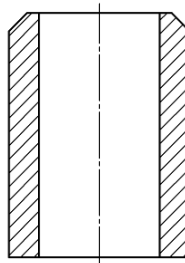
	Shut Off Valve	Type	NPS	Class	Schedule acc. to ASME B36.10	Dimension	L (mm)	Article number
ASME	A120-CS	Flange B16.5	1/2"	300	-	-	110	15-14179
	A120-CS	Flange B16.5	1"	300	-	-	139	15-13037
	A140-CS	Flange B16.5	1"	150	-	-	37	15-13876

* Specific Process connections on request

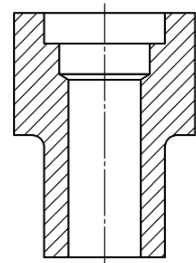
Overview of process connections



Flansch DIN EN 1092-1
Flange ASME B16.5

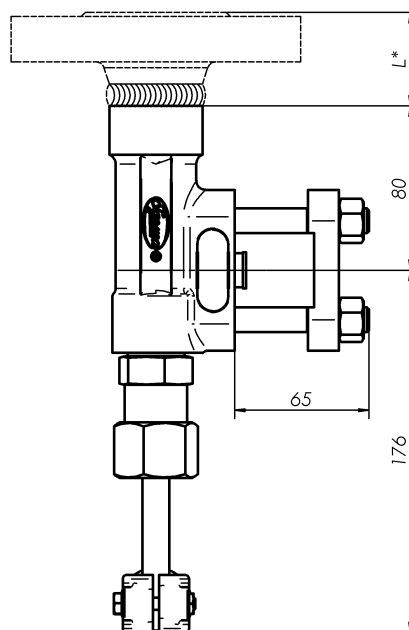
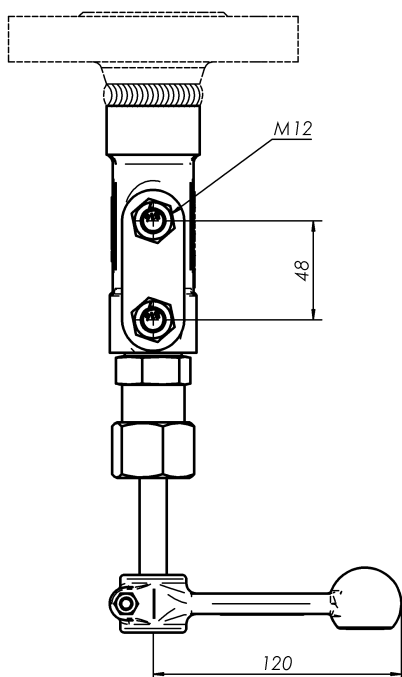


Anschweißende DIN 3239
Butt welding ASME 16.25



Schweißmuffe DIN EN 10241
Socket welding ASME B16.11

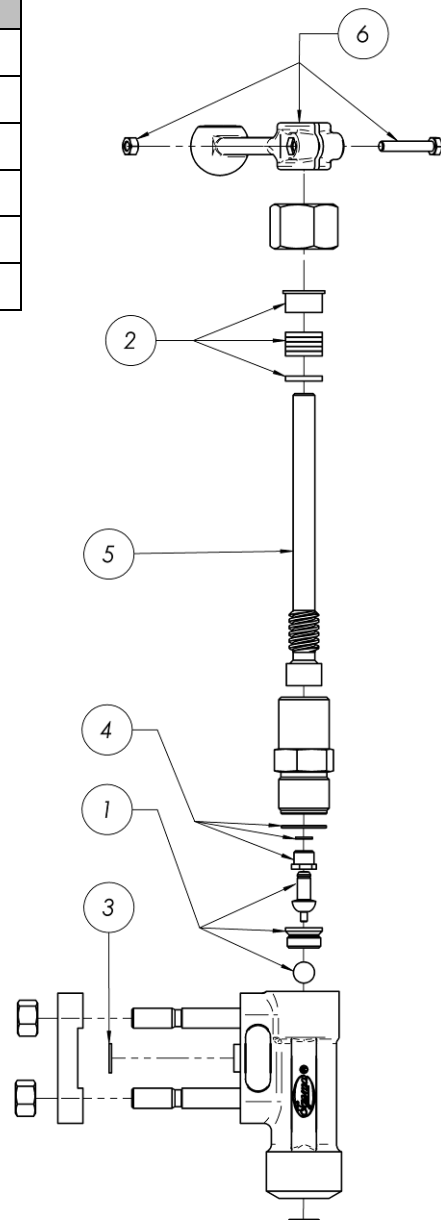
Overview of dimensions



* Dimension „L“ is listed in the table “Available process connections”.

Spare Part List

Pos.-No.	Designation	Article-No.	Quantity
1	Seat Trim, Plug and Ball	15-00116	1
2	Packing	15-00113	1
3	Seal Ring $\varnothing 9 \times \varnothing 17,5 \times 1,5$ mm	40-00109	1
4	Seal Ring $\varnothing 22 \times \varnothing 27,5 \times 1,5$ mm	40-00117	1
5	Spindle	25-00126	1
6	Hand Lever Set	25-00102	1



Digital Documentation

