



Globe valve type

WA3 with limit switch

Application and function

Used as shutoff valve on pipes e.g. between steam boiler and water level limiter.

The area of application extends across the entire range of float switches. Shutoff valve with one or two limit switches for signalling of "opened" (switch A) and/or "closed" (switch B) position.

Technical basic equipment

- Straight valve
- Process connection - flange as per DIN
- Valve (housing, bonnet/clamp) made of heat-resistant carbon steel
- Valve inner parts stainless steel
- Handwheel aluminium
- Limit switch - Company Steute, housing aluminium, cable gland M16 x 1,5



Available (optional) versions

- Other process connection as per DIN or ANSI on request
- Welding end and socket welding on request

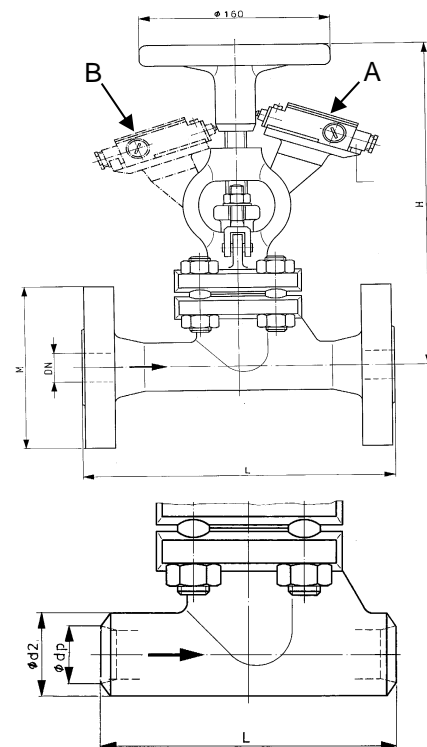
Technical data

Allowable pressure	PS [bar]	180	32	50	80	100
Allowable temperature	TS [°C]	195	239	265	296	312

Installation information: Valve spindle must be in horizontal position
Arrow on valve body (housing) must point towards

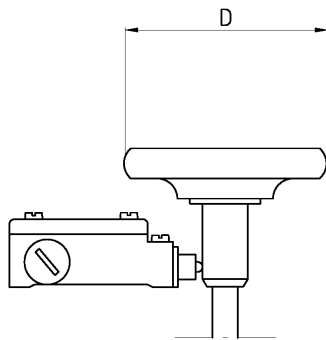
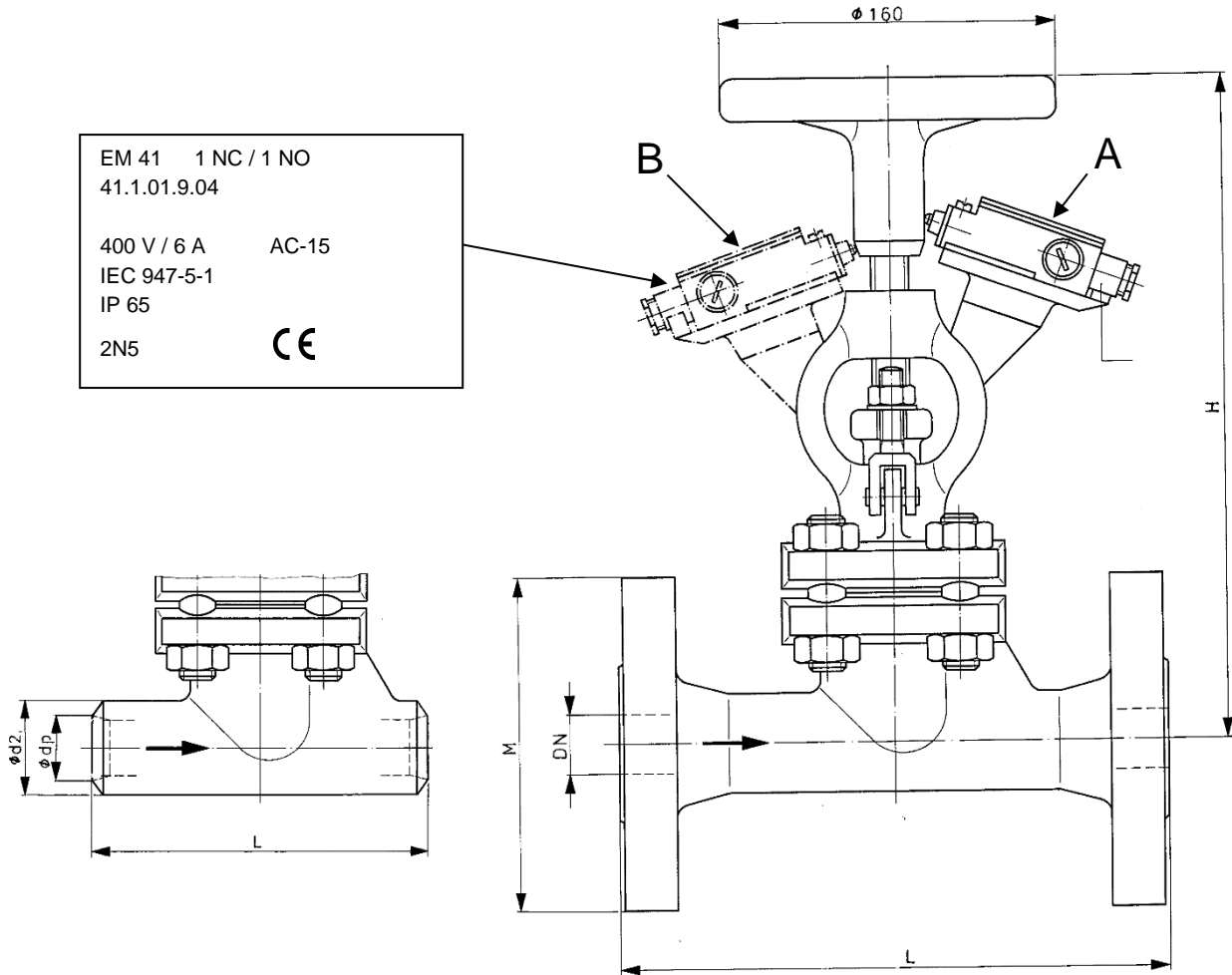
PS [bar]	Dimension M		Contact face Form	Dimension [mm]	
	DN	DIN EN		L	H
13	20	1092-1	B1	150	220
	25			160	
32	20			150	
	25			160	
80			B3	230	
	100				

PS [bar]	Welding end					Dimension [mm]	
	DN	DIN EN	ø d1	ø d2	ø d3	L	H
13	20	12627	22	28	26,9	150	220
	25		28,5	34	33,7	160	
32	20		22	28	26,9	150	
	25		28,5	34	33,7	160	
80							
100			27				

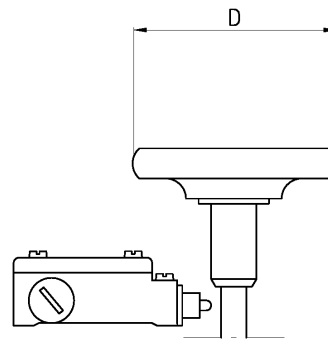
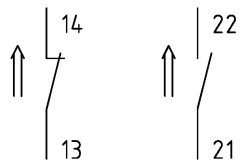


EM 41 1 NC / 1 NO
 41.1.01.9.04
 400 V / 6 A AC-15
 IEC 947-5-1
 IP 65
 2N5

CE



Valve closed /
 switch actuated



Valve closed /
 switch not actuated

