



## TDS valve type

### H-ASV2-...

#### Application and function

The motor actuated TDS valve type H-ASV2-... is used for continuous and automatic evacuation of boiler water with high TDS concentration.

#### Technical basic equipment

Constructions: H-ASV2-0 as globe valve  
 H-ASV2-1 with sampling valve  
 H-ASV2-2 with 12 mm cutting ring connection for sampling pipe

#### Actuator MC163:

- Micro controller actuated
- Automatic self-adjustment during commissioning
- Wear-resistant odometer system (reverberation sensor)
- Undetachable stroke storage in the EEPROM
- External status signal possible for manual timing
- Error detection in continuous operation (in case of blockage due to foreign impact)
- Cap can be put on in 4 positions, 90°locking, no screws required
- Safety position during actuation of a binary signal (Frost protection)
- Actuator has protective insulation at 230 VAC

#### Materials:

- Valve housing: cast steel GS-C25N
- Spindle sealing: graphite
- Inner fitting needle cone and screw seat made of hardened CrNi steel

#### Available (optional) versions

- Special voltage: 24 VDC or 115 VAC
- Protection IP65

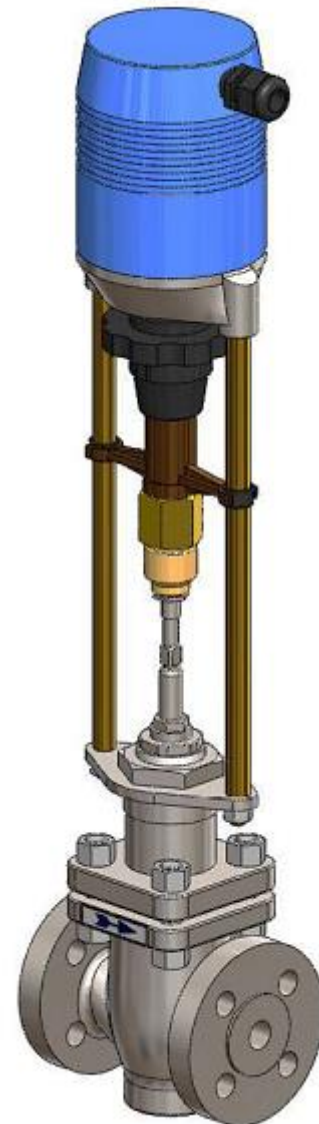
#### Technical data

##### Ventil

Allowable pressure	PS [bar]	32		
Nominal diameter	DN	15	20	25
Leak rate		≤ 0,01% of kvs-Wert		
kvs-value		0,16 - 2,5		
Allowable temperature	[°C]	250		

##### Actuator MC163

Voltage	[VAC]	230 +6%/-10%
Frequency	[Hz]	50/60 ± 5%
Coupling force	[kN]	1,3
Coupling time	[s/mm]	adjustable on site; 4 <sup>1)</sup> , 6
Stroke	[mm]	max. 30
Power consumption	[VA]	max. 14
Operating mode	EN 60034-1	S3-50% ED c/h 1200



Actuator MC163

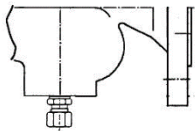
Protection	EN 60529	IP54
All. Ambient temperature	[°C]	0 bis +50
weight	[kg]	~ 2,4
Maintenance		low maintenance
Limit switching		- optional - dependent on load

Continuous control:

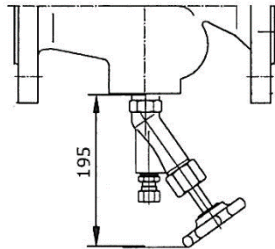
Since the density and thus also the TDS concentration of the boiler water increases by the constant evaporation process in the steam boiler, the TDS of the steam boiler must be held in accordance with the valid regulations of the boiler manufacturer in order to avoid damages of the plant. You can achieve this by draining continuously a certain boiler water quantity. With the increasing salinity also the conductivity of the boiler water rises. This conductivity is controlled by the combination of a conductivity probe type EL22 with a conductivity limiter type FLB1. The conductivity limiter FLB1 sends a signal between 4-20 mA (according to the conductivity) to the universal controller type KS40-1. Then the KS40-1 takes over the regulation of the water quantity to be drained and thus controls the TDS valve type H-ASV2.

PS [bar]	DN	L	~ H	ø D	ø k	z	ø d	b	f	h	Hub
32	15	130	437	95	65	4x1 4	45	14	2	200	20
	20	150		105	75		58				
	25	160		115	85		68				

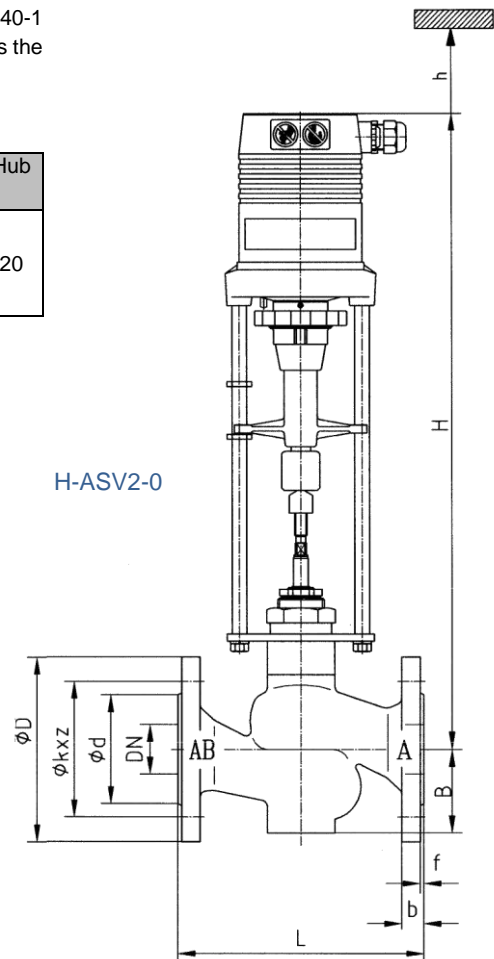
H-ASV2-2



H-ASV2-1



H-ASV2-0



Digital Documentation

