



## Indicator valve

### AF410 for remote level gauge

#### Application and function

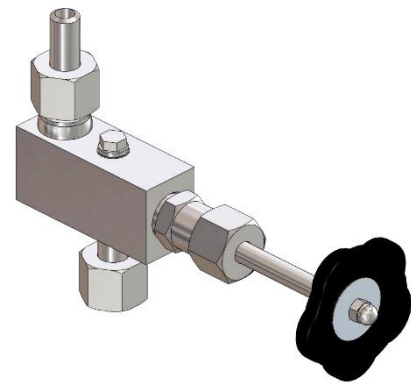
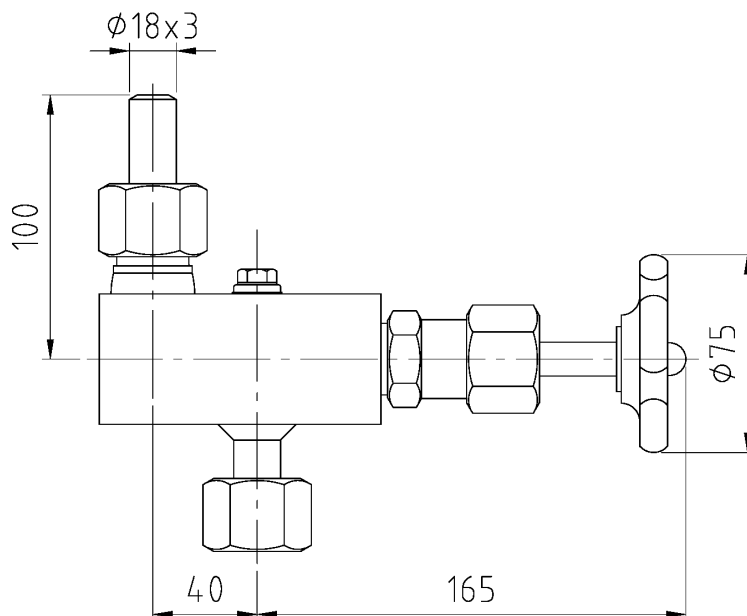
The indicator valve serves as shutoff valve for the indicator body of the remote water level gauge.

#### Technical basic equipment

- Body material stainless steel
- Inner parts of valve stainless steel
- Handwheel plastic
- Process connection:  $\varnothing 17,2 \times 2,3 \text{ mm}$
- Version with backseat to release the gland packing

#### Technical Data

Allowable pressure	PS [bar]	180
Allowable temperature	TS [°C]	+5 bis +40



#### Digital Documentation

