



Drain valve type

Inclined seat valve Type: AV500, AV505, AV520, AV525

Application and function

The drain valve is used to drain instruments or to drain fillings of instruments. The area of application comprises with the entire product range of level gauges and float switches.

Technical basic equipment

- Inlet: male thread G ½"
- Outlet: cutting ring connection ø 12 mm (DIN 2353-DS12)
- Forged valve housing which is invariably tested in accordance with EN 10204 – 3.1 and is covered with certificates
- AV500 and AV520 housings consist of 1.0460 A105
- AV505 and AV525 housings consist of 1.4571 316Ti
- Inner valve parts are always made of stainless steel

Available (optional) versions

- Customer-specific input and output connections

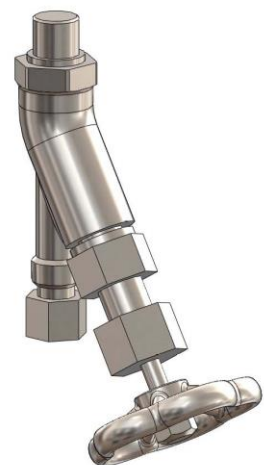
Technical data

		AV500 / AV505	AV520 / AV525
Allowable pressure	PS [bar]	32	200
Allowable temperature	TS [°C]	239	367

AV500

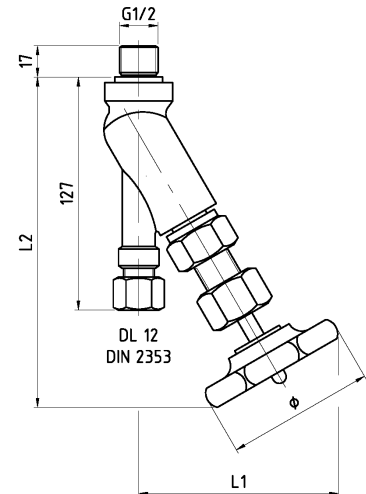


AV520



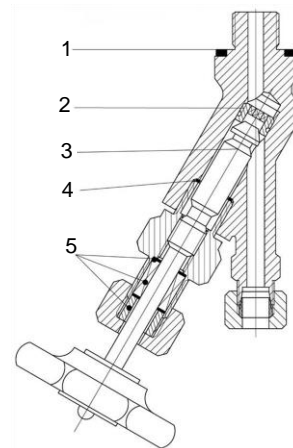
Dimensions and article numbers

	Ø - Hand wheel	L1	L2	Article number
AV500	80	110	180	40-01803
AV505	80	110	180	40-01842
AV520	110	125	190	40-01845
AV525	110	125	190	40-01846



Spare part list

Pos. Nr.	Article	Required quantity	Article number
1	Gasket \varnothing 21 x 26 x 1,5 mm	1	40-00099
2	Seat	1	40-01864
3	Spindle with Kegel	1	40-01866
4	Gasket \varnothing 20 x \varnothing 24 x 1,5 mm	1	40-01873
5	Packing set	1	40-01867



Digital Documentation

