

Probe

EC8, EC8-M, EC8-B

Application and function

The level probe EC8, EC8-M, EC8-B, in conjunction with the continuous liquid level transmitter DLT2 / DLT3, is a level probe for liquid level control systems.

The product fulfils the requirements of EU Directive 2014/68/EU (PED).

Marine application within the scope of DNV, LR and CCS is possible (EC8-M).

Technical basic equipment

- Device plug GSP / GDME 4-pin
- Housing, electrode rod and extension made of stainless steel
- PTFE insulator
- Plug/socket PA66
- Mechanical connection via G 1/2" screw-in piece
- Protection class IP66 according to DIN EN 60529

Optional versions

- EC8-B with G 3/4" screw-in piece
- with electrode mounting flange
- Protection tube K, flange, screws, nuts and seals available.



Probe EC8

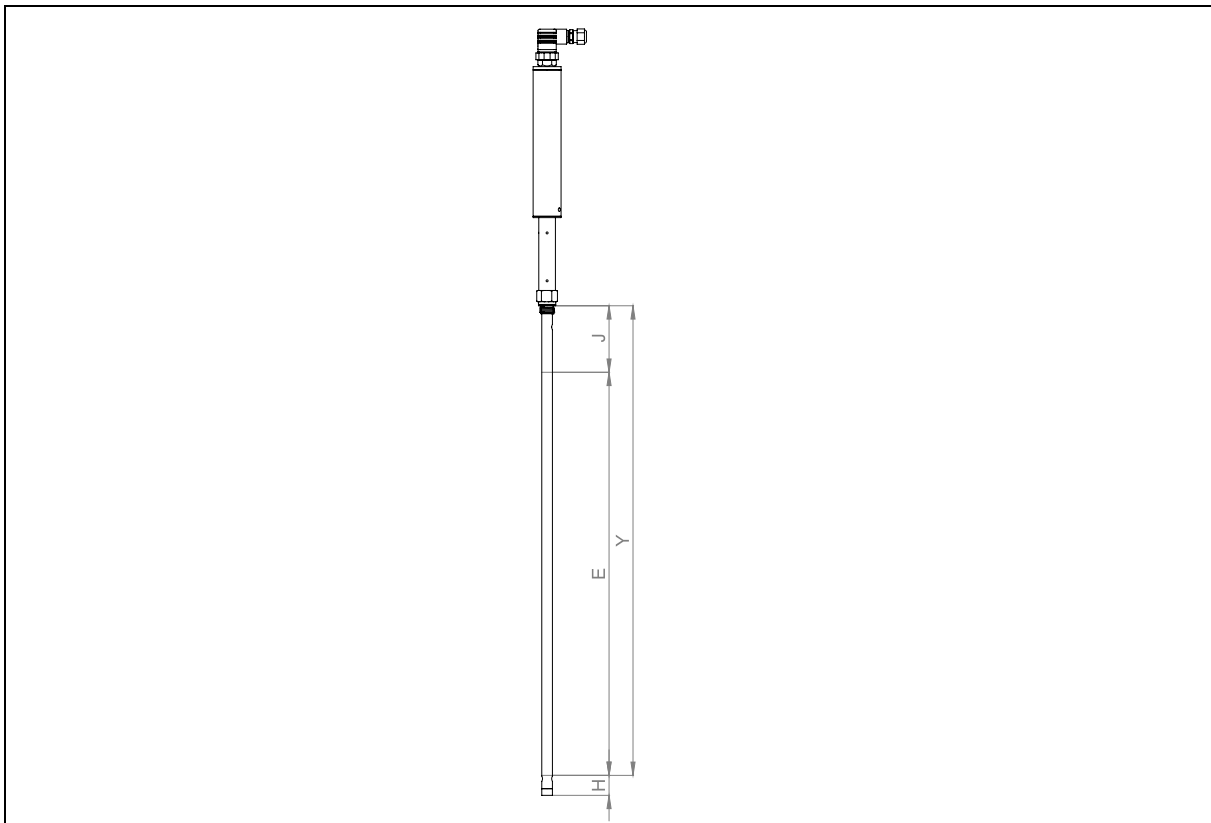
Technical data

Operating limits EC8 / EC8-M / EC8-B	perm. pressure [PS]	perm. temperature [TS]
	32 bar 464 psig	239 °C 462 °F

Permissible ambient temperature 0°C to 85°C / 32°F to 185°F


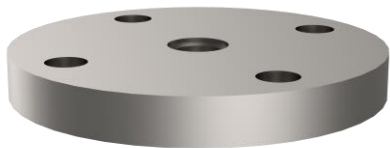
Sensitivity	>0,5µS/cm bei 25°C/ 77°F
Power supply voltage	24V
Power consumption	0,6 W
Data exchange	Digital via data cable
Electrical connection	24 V via cable
Self-test	every 3 seconds

Dimensions and sizes



		min.		max.	
		[mm]	[inch]	[mm]	[inch]
Dimension	with protective tube DN50	150	6	800	31 1/2
	with protective tube > DN80			2070	81 1/2
Measuring range		[E]	E = Y - J		
Upper blind space		[J]	100mm / 4"		
Lower blind space		[H]	30mm / 1 1/8"		

Optional versions

Examples of the optional versions	
Add-on housing	Flange
	

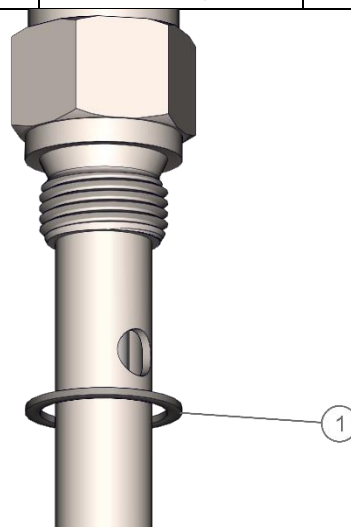
Type	Data sheet	Article-Number
Add-on housing and Flanges for electrodes	D-08-D-51669-EN	see data sheet

Use in the add-on housing if shut-off valves are fitted between the process connection and the boiler connection piece.

A drain valve is also required

Spare parts

Pos.	Description	Size	Article-Nr.	Quantity
1	Sealing ring	21 x 26 x 1,5 mm	40-00099	1





Direct download



Product page on the Internet

Igema GmbH

Antwerpener Str. 1
48163 Muenster
Germany

www.igema.com

Telephone: +49 25 01 924 24-0
Telefax: +49 25 01 924 24-99
info@igema.com

