

Conductivity probe

EL22 / EL22-B

Application and function

The EL22 conductivity probe, mounted in the T-piece, is used together with the FARB2 evaluator and a desalination valve for continuous desalination or for monitoring the conductivity and signalling when the conductivity is exceeded.

Technical basic version

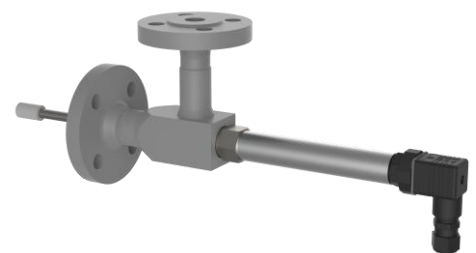
- T-piece for mounting on the boiler
- Electrical connection via plug-in connector with screw terminals for strain relief
- Probe housing and electrode rod made of stainless steel
- Insulator made of PTFE
- Protection class IP65 according to DIN VDE 0470

Optional versions

- Vertical installation position possible with a protective tube
- Customer-specific dimensions
- Customer-specific materials
- EL22-B with G 3/8" screw-in piece



EL22



EL22 in T-piece

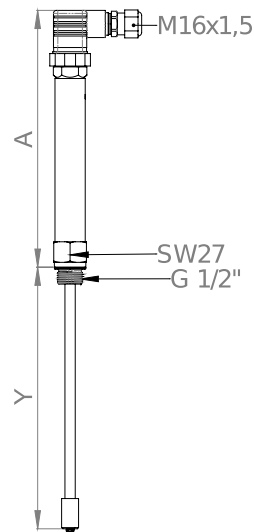
Technical data

Application limits EL22	Permissible pressure [PS]	Permissible temperature [TS]
	32 bar 464 psig	239 °C 462 °F

Permissible temperature at the connector 100 °C / 212 °F

Dimensions and sizes probe

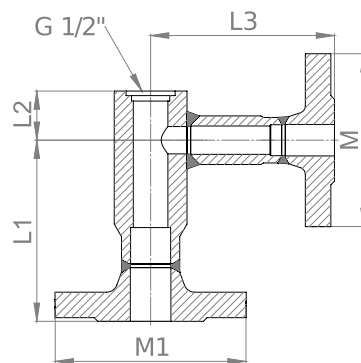
Probe



		[mm]	[inch]
Construction measure	[Y]	100-1000mm	4-39 ³ / ₈
Connection dimension	[A]	210mm	8 ¹ / ₄ "

Dimensions and sizes T-piece

Process connection M1			Desalination valve connection M		
PN	DN	Norm	PN	DN	Norm
40	20	DIN 1092-1	40	15	DIN 1092-1
	25			20	



For different process connections, the dimensions M, M1, L1, L2 and L3 vary.

Spare parts

Description	Size	Article-No.	Quantity
Sealing ring	Ø21 x Ø26 x 1,5mm	40-00099	1



Digital documentation



Direktdownload



Produktseite im Internet

Igema GmbH

Antwerpener Str. 1
48163 Münster
Deutschland

www.igema.com

Telefon: +49 2501 924 24 0
Telefax: +49 2501 924 24 99
info@igema.com

