

Conductivity probe

EL22

Application and function

The TDS probe EL22, mounted in the measuring flange is used, in combination with the controller FARB2 and a TDS-valve, for continuous regulation of the boiler water TDS, or for TDS surveillance with the possibility of a limiting function.

Technical basic equipment

Mechanical connection	G ½" (AF27)	
	with T-connection for mounting on boiler	
Electrical connection	Plug connection with screw terminals (traction relief)	
Material	Probe housing	stainless steel
	Probe rod	stainless steel
	Insulator	PTFE
	Socket	Polyamide
	Sealing ring	Soft iron
	Measuring flange	1.0460

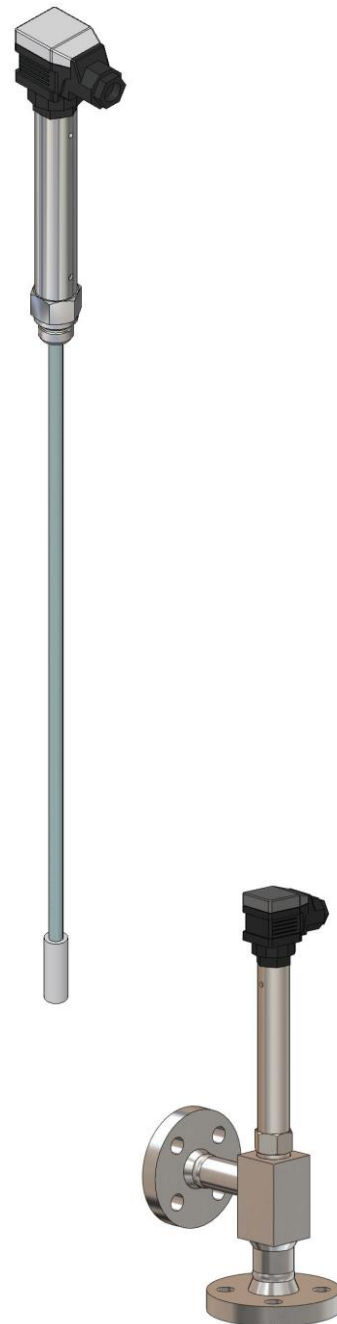
Technical data

Allowable pressure	PS [bar]	32
Allowable temperature	TS [°C]	239
Cable gland		M16x1,5
Protection as per DIN VDE 0470		IP65
Allowable temperature on plug		100°C

- Installation horizontal usually with T-piece
- Installation up to vertical is possible. But a protective housing has to be used, if the horizontal version is not chosen.
- Other dimensions and materials up on request
- Screws, nuts and gaskets deliverable



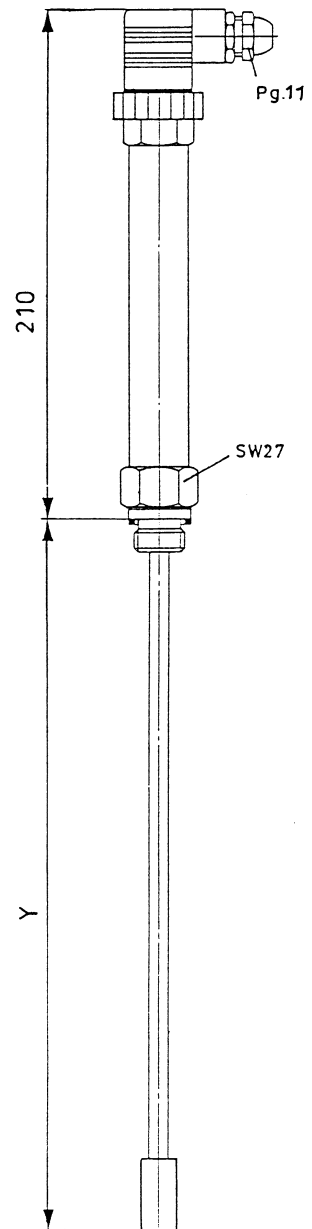
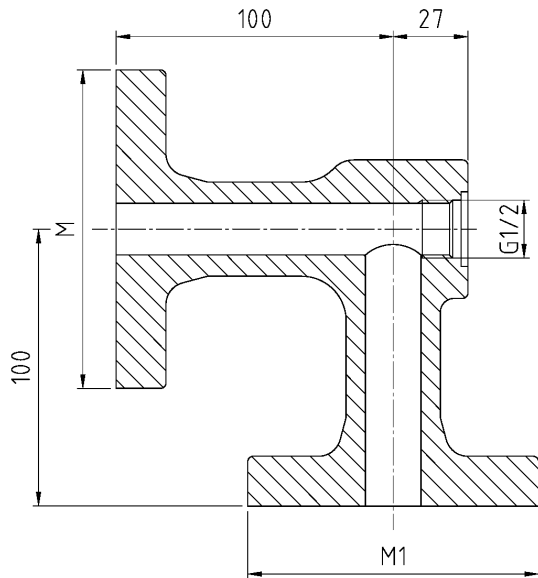
Caution! Never shorten or prolong the probe!



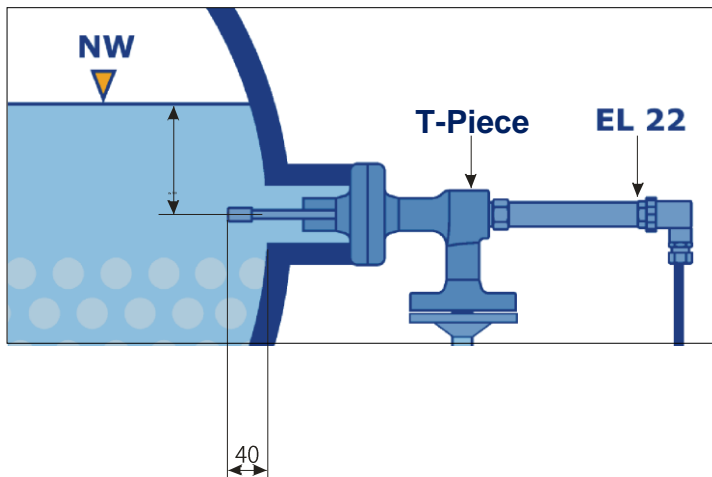
- Production monitored

Technical data (cont.)

PN	Process connection M		Connection desalting valve M1	
	DN	norm	DN	norm
40	20	DIN 2535 Form B	15	DIN 2535 Form B
	25		20	



Example of installation



Digital Documentation

