



Multi-rod level probe

EL913

Application and function

The EL913 level probe is installed in a vertical position and used in conjunction with various control units.

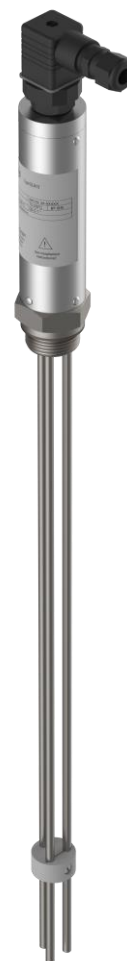
As a self-testing (SIL 3) low level limiter with the LMC2, with the DLR2 as a 2-point controller with additional high level or low level signalling or with the DLS2 for low level and high level signalling.

Technical basic equipment

- Mechanical connection via G 1" thread (SW41)
- Electrode housing and rod made of stainless steel
- Insulator made of PTFE
- Electrical connection via plug-in connector made of polyamide with screw terminals for strain relief
- Protection class IP65 according to DIN VDE 0470
- Cable gland M16 x1.5

Optional versions

- Protection tube K, flange, screws, nuts and gaskets available.
- With probe mounting flange
- With mounting housing



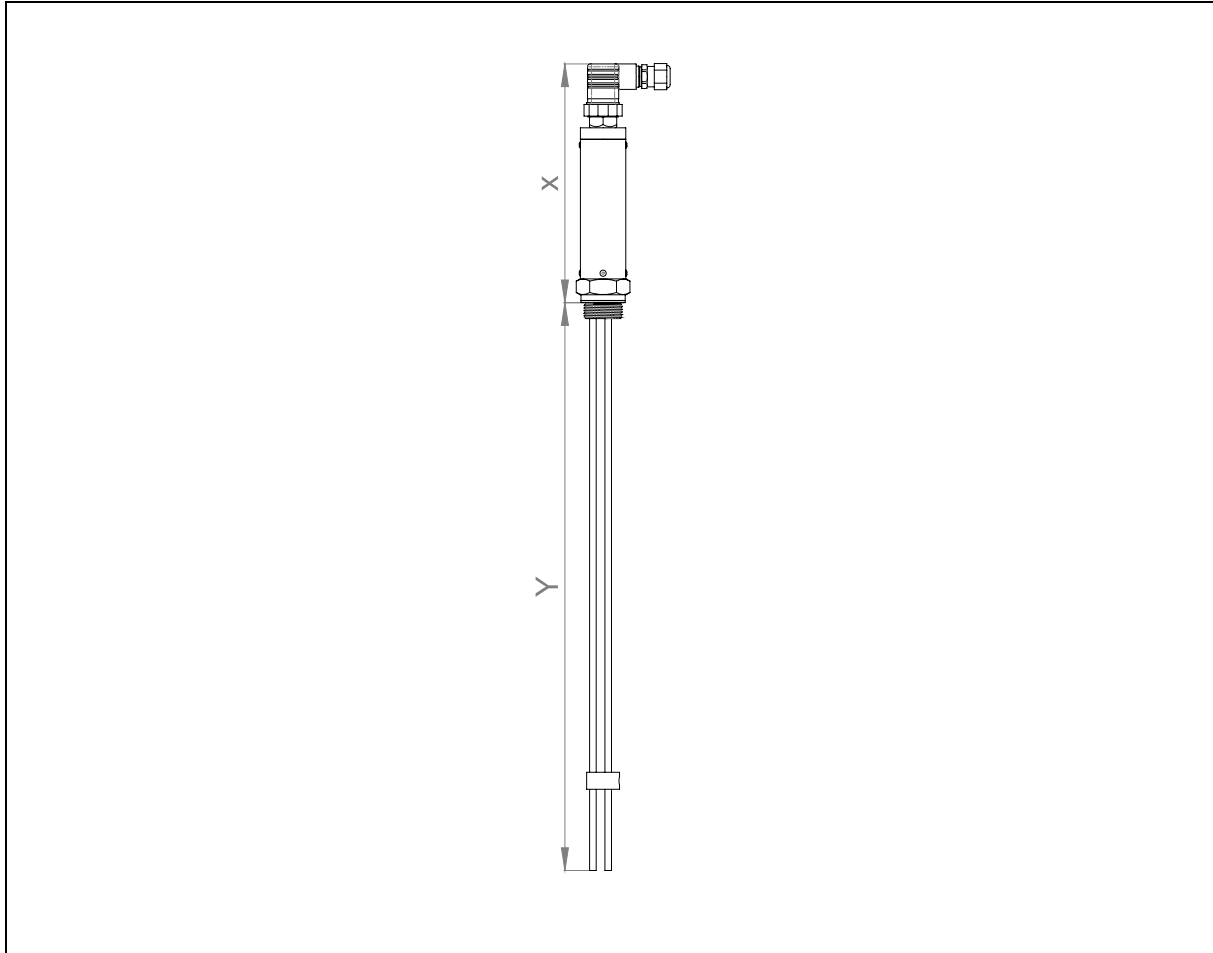
Probe EL913

Technical data

Operating limits EL913	Perm. Pressure [PS]	Perm. Temperature [TS]
	32 bar 464 psig	239 °C 458 °F

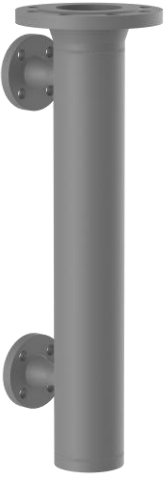
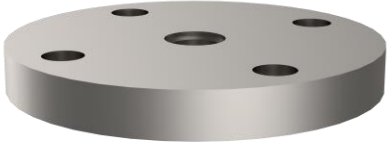
Permissible temperature at plug 100°C / 212°F

Dimensions and sizes



		min.		max.	
		[mm]	[inch]	[mm]	[inch]
Measuring length	[Y]	60	2 1/3	1500	59
Height	[x]	210mm / 8 1/4"			

Optional versions

Examples of the optional designs	
Mounting housing	Probe mounting flange
	

If shut-off valves are fitted between the process connections of the add-on housing and the boiler nozzles, an interlock system (limit switch) must be installed.

A drain valve must be fitted to the add-on housing.

Use in the mounting spigot if the boiler spigot corresponds to the representations according to the data sheet.

Type	Data sheet	Article No.
Flanges and mounting elements for electrodes	D-08-D-51669-EN	see data sheet
Mounting housing and mounting spigot	D-08-D-50964-EN	see data sheet

Spare parts

Pos.	Description	Size	Article No.	Quantity
1	Stainless steel sealing ring	33 x 39 x 2mm	40-00120	1





Direct download



Product page on the Internet

Igema GmbH

Antwerpener Str. 1
48163 Muenster
Germany

www.igema.com

Telephone: +49 25 01 924 24-0
Telefax: +49 25 01 924 24-99
info@igema.com

