

Multi rod level probe

EL912

Application and function

The EL912 level electrode is installed in a vertical position and used in conjunction with various control units:

- DLR2
 - Fill level control
- DLS2
 - Fill level signalling for 2 fill levels

Technical basic equipment

- Mechanical connection via G 1' thread (SW41)
- Electrode housing and rod made of stainless steel
- PTFE insulator
- Electrical connection via polyamide plug connector with screw terminals for strain relief
- Protection class IP65 according to DIN VDE 0470
- Cable gland Pg11

Optional versions

- Protection tube K, flange, screws, nuts and seals available.
- With probe mounting flange
- With mounting housing



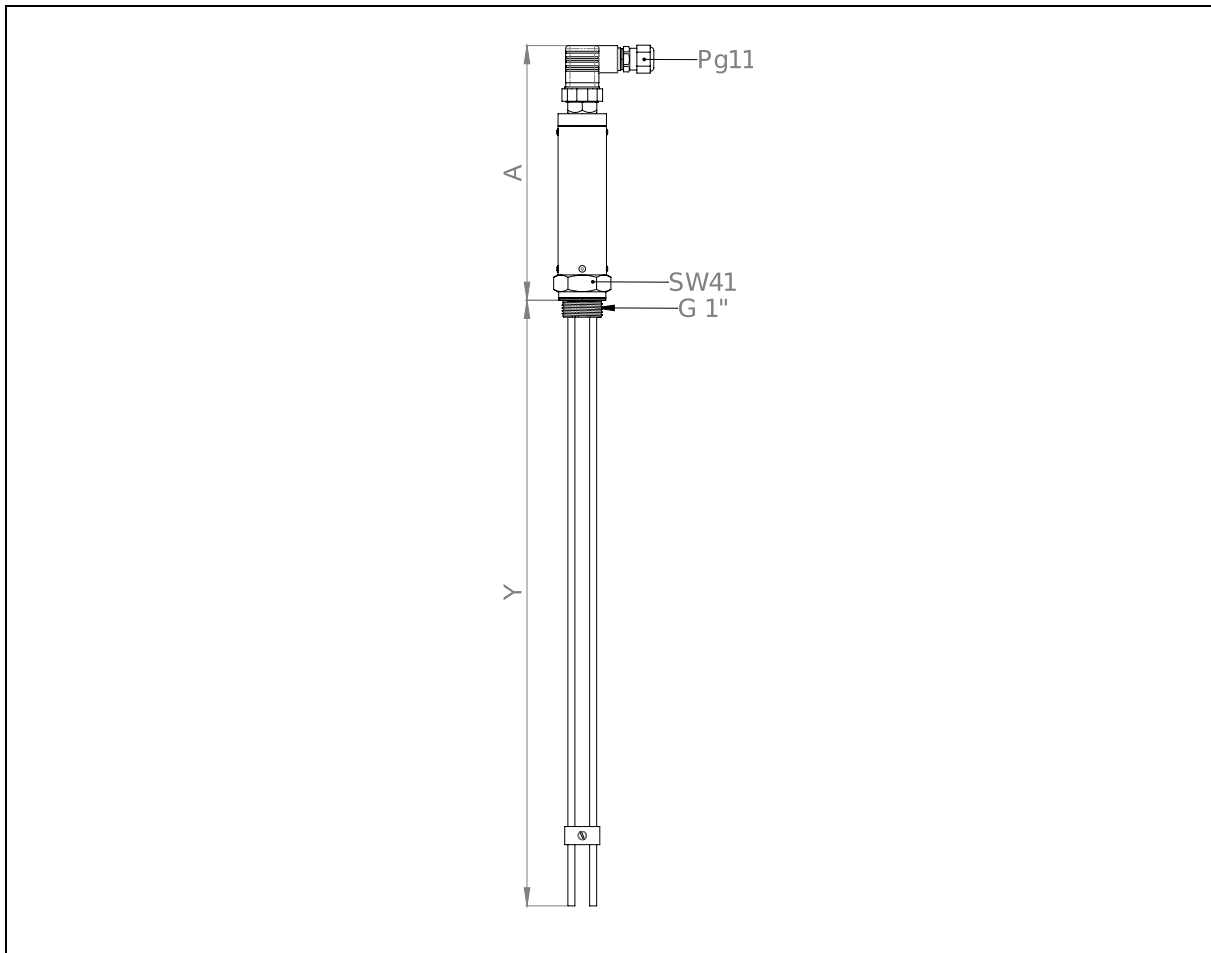
EL912

Technical data

Operating limits EL912	perm. pressure [PS]	perm. temperature [TS]
	32 bar 464 psig	239 °C 458 °F

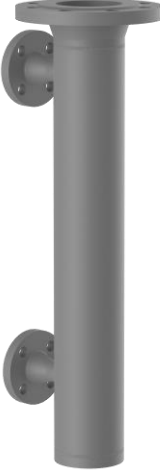
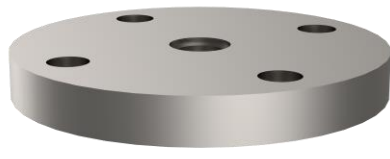
Permissible temperature at the plug 100°C / 212°F

Dimensions and sizes



		min.		max.	
		[mm]	[inch]	[mm]	[inch]
Measuring length (Vertical installation position)	[Y]	60	2 1/3	1500	59
Installation height	[x]	210mm / 8 1/4"			

Optional versions

Examples of the optional versions	
Add-on housing	Probe mounting flange
	

If shut-off valves are fitted between the process connections of the add-on housing and the boiler connections, an interlock system (limit switch) must be installed.


A drain valve must be fitted to the add-on housing.

Use in the installation nozzle if the boiler nozzle corresponds to the illustrations in the data sheet.

Type	Data sheet	Article-No.
Add-on housings, flanges and fastening elements for electrodes	D-08-D-51669-EN	see data sheet

Spare parts

Description	Size	Article-No.	Quantity
Stainless steel sealing ring	Ø33 x Ø39 x 2mm	40-00120	1



Digital documentation



Direct download



Product page on the Internet

Igema GmbH

Antwerpener Str. 1
48163 Muenster
Germany

www.igema.com

Phone: +49 2501 924 24 0
Fax: +49 2501 924 24 99
info@igema.com

