

Level probe EL21-2

Application and function

The level probe EL21-2 is, in connection with the self-monitoring high level limiter SMHC2, a safety accessory according to EU Directive 2014/38/EU.

Technical basic equipment

Mechanical connection	G ½" (SW27)	
Electrical connection	Plug connection with screw terminals (traction relief)	
Material	Probe housing	stainless steel
	Probe rod	stainless steel
	Probe extension	stainless steel
	Insulator	Ceramic
	Socket	Polyamide
	Sealing ring	Soft iron

Technical data

EG-Component test	See controller					
	CE 0035					
Allowable pressure	PS [bar]	50	80	100	160	200
Allowable temperature	TS [°C]	265	296	312	346	367
Cable gland		M16x1,5				
Protection as per DIN VDE 0470		IP65				
Allowable temperature on plug		100°C				



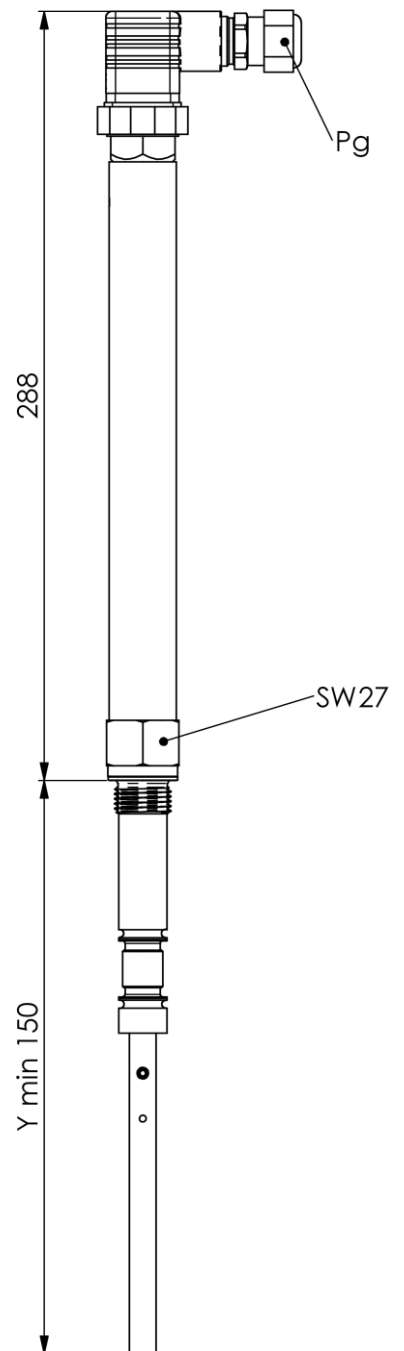
EC-Type-Examination
SIL 3
Production monitored

Technical data (cont.)

Dimension Y [mm] min. 105		
1700	With protection tube > DN80	Vertical installation position
800	With protection tube DN50	Vertical installation position
800	With protection tube DN50/100	Inclined installation up to 45°

Additional

- If shut-off valves are mounted between the process connections of the water column and the boiler supports, an electric locking system (end switch) has to be installed.
- A drain valve is to be mounted to the water column.
- Use in mounting supports if the boiler support corresponds to the representations according to data sheet.
- Protective tube K, flange, screws, nuts and seals can also be supplied.
- For electrode support flange see separately data sheet





Link for pdf.-directdownload



Product page on the Internet