

Level probe EL19-2

Application and function

The level probe EL19-2 in connection with the self-monitoring low level limiter SMLC2 is a safety accessory according to EU Directive 2014/38/EU.

Technical basic equipment

Mechanical connection	G ½" (SW27)	
Electrical connection	Plug connection with screw terminals (traction relief)	
Material	Probe housing	stainless steel
	Probe rod	stainless steel
	Probe extension	stainless steel
	Insulator	Ceramic
	Socket	Polyamide
	Sealing ring	Soft iron



*EC-Type-Examination
SIL 3
Production monitored*

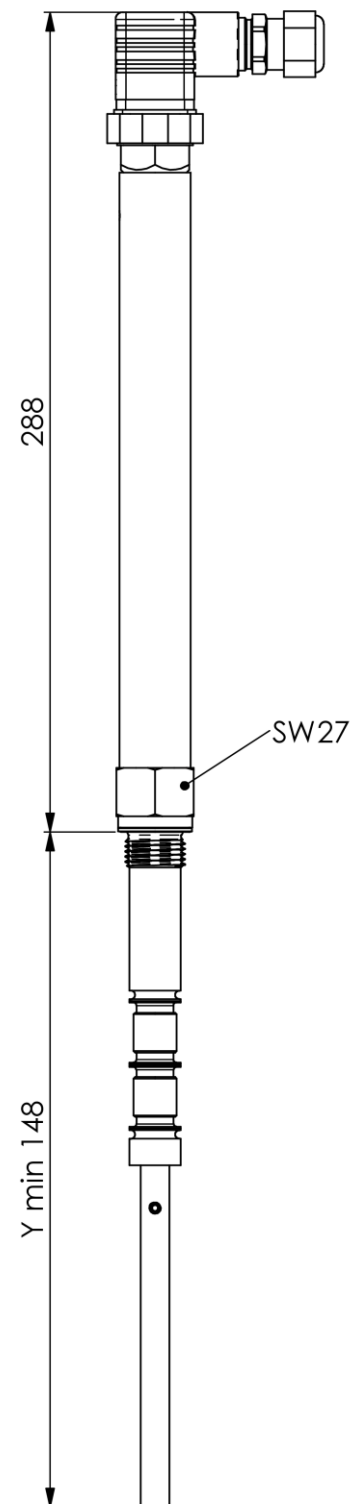
Technical data

EG-Component test	See controller					
	CE 0035					
Allowable pressure	PS [bar]	50	80	100	160	200
Allowable temperature	TS [°C]	265	296	312	346	367
Cable gland	M16x1,5					
Protection as per DIN VDE 0470	IP65					
Allowable temperature on plug	100°C					

Dimension Y [mm]		
min. 148		
1700	With protection tube > DN80	Vertical installation position
800	With protection tube DN50	Vertical installation position
800	With protection tube DN50/100	Inclined installation up to 45°

Additional

- If shut-off valves are mounted between the process connections of the water column and the boiler supports, an electric locking system (end switch) has to be installed.
- A drain valve is to be mounted to the water column.
- Use in mounting supports if the boiler support corresponds to the representations according to data sheet.
- Protective tube K, flange, screws, nuts and seals can also be supplied.
- For electrode support flange see separately data sheet





Link for pdf.-directdownload



Productpage on the internet