



Float switch

Type RBA34

Application and function

The float switch can be used as a water level controller or water level limiter on steam generators.

The product complies with EU Directive 2014/68/EU and bears the CE mark with the identification number 0035 at the notified body. Applied standards EN 12952 / EN 12953 and ASME-Boiler and Pressure Vessel Code. Considered regulations AD2000.

Technical basic equipment

- Materials according to DIN or ASME
- Protection class according to DIN VDE 0470: IP54
- EC type examination with
- certificate no.: Z-D-002-10440/14
- Process connection: Flanges according to DIN or ANSI
- Magnetic lockout switch type M130-KG
- Cable gland to DIN EN 50262: M20x1.5
- Drain plug G ½"

Optional versions

- Protection class according to DIN VDE 0470: IP65
- Customised process connections
- Level indicator with signal lamps
- Ventilation screw
- Customised drain valves

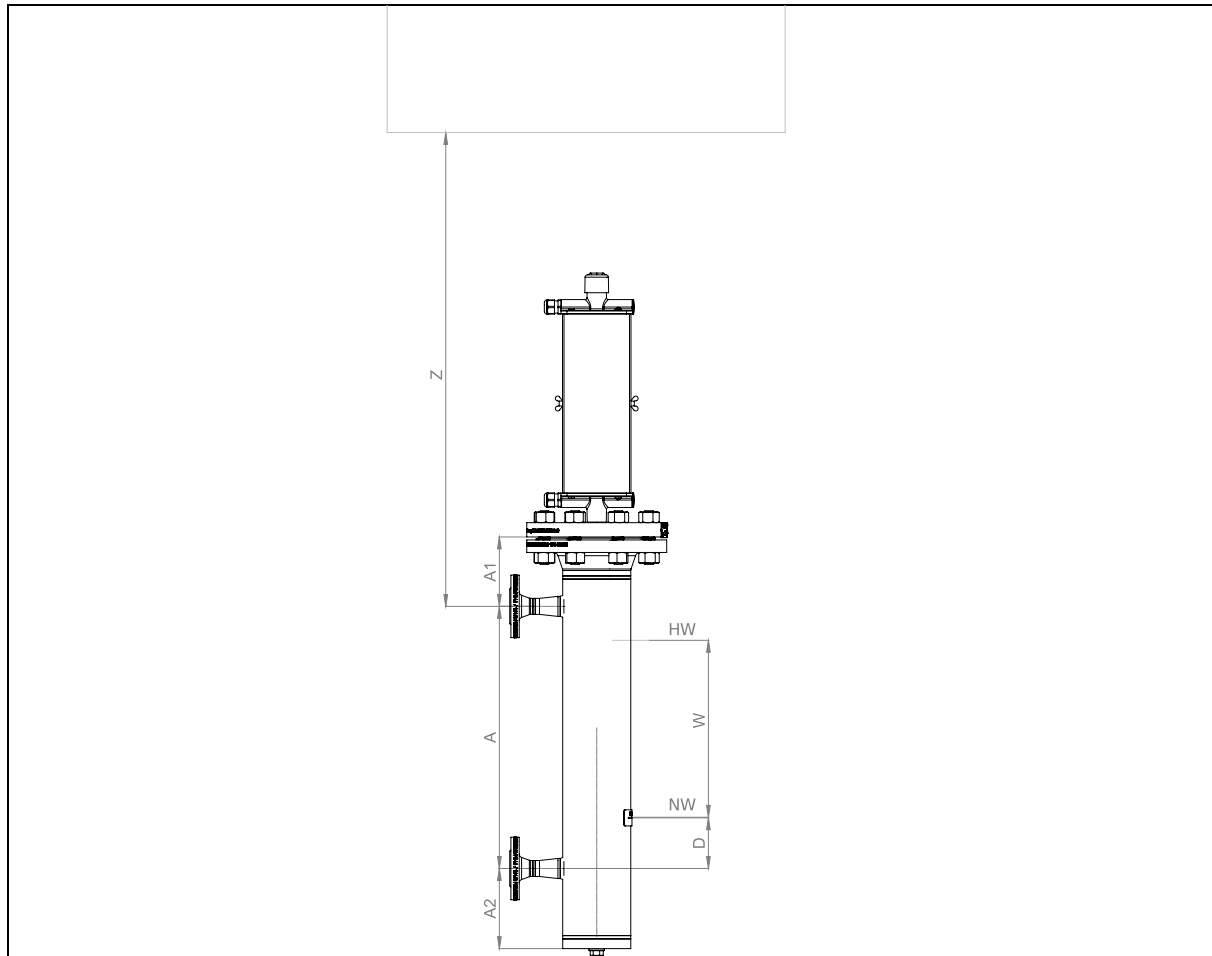


RBA34

Technical data

Operating limits	perm. pressure [PS]	perm. temperature [TS]
	32 bar 464 psig	239 °C 462 °F
	80 bar 1160 psig	296 °C 565 °F

Dimensions and sizes



Pressure level [PS]		32 bar		80 bar	
		[mm]	[inch]	[mm]	[inch]
Connection dimension	[A1]	135	5 1/3	145	5 5/7
Connection height	[A2]	165	6 1/2	195	7 2/3
Connection depth	[L]	140	5 1/2	160	6 2/7
Connection distance	[Z]	A+D+550mm	A+D+21 2/3	A+D+550mm	A+D+21 2/3

The component label is only valid if shut-off valves are fitted between the process connection and the boiler connection and a drain valve is fitted to the drain connection.

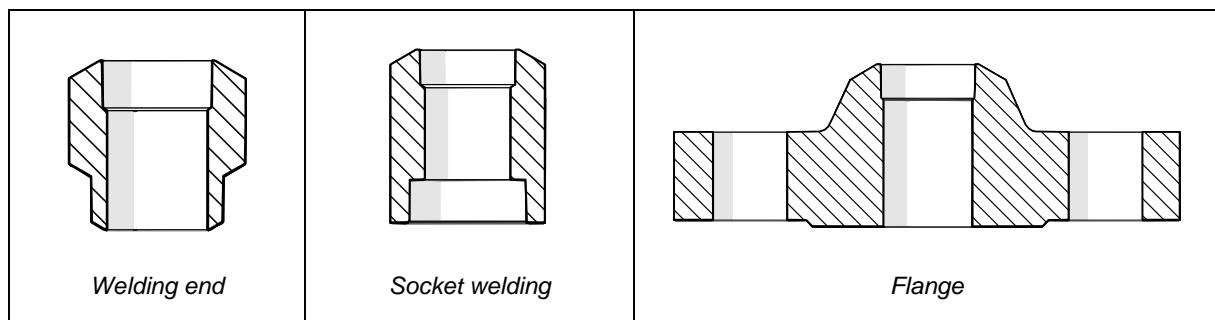
The function test is carried out by lowering the water level in the add-on housing

*Smaller A2 dimensions are possible after consultation depending on the D dimension and the nominal diameter of the process connection.

Available dimensions

		[mm]	[inch]
Switch adjustment range	[W]	250	9 ⁵ / ₆
		350	13 ⁷ / ₉
		450	17 ⁵ / ₇
		550	21 ² / ₃
		650	25 ³ / ₅
		750	29 ¹ / ₂

Process connection variants



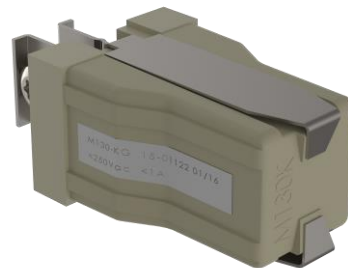
All connection variants are available according to DIN or ASME standard

Basic equipment

The float switch is supplied with a G ¹/₂" drain plug and a switch housing in accordance with protection class DIN VDE 0470: IP54 with built-in magnetic lock switch M130-KG. Customised equipment is possible.





Drain plug G ¹/₂"



Magnetic locking switch M130-KG

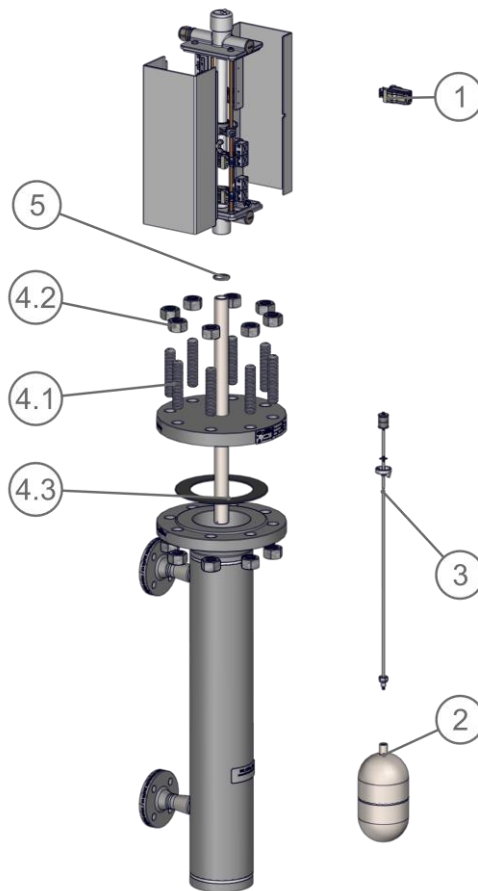
Optional versions

Examples of the optional version	
Customer specific drain valve	Higher protection for the switch housing
 <p>Ex.: AV520</p>	 <p>Ex.: Protection type according to DIN VDE 0470: IP65 (The connection distance-Z increases by 50 mm)</p>

Type	Data sheet	Article-No.
Drain valve AV520 Process connection G 1/2" Cutting ring fitting DS12	D-09-D-50514-EN	40-01845

Spare parts

Pos.	Description	Size	Article-No.	Quantity
1	Magnetic locking switch M130-KG	-	15-01122	-
2	Float	-	40-00918	1
3	Float device	-	15-000006	1
4.1, 4.2, 4.3	Connection set for flange	32bar	15-03379	1
		80bar	15-03362	
5	O-ring	24,2x3mm	40-00300	1





Direct download



Product page on the Internet

Igema GmbH

Antwerpener Str. 1
48163 Muenster
Germany

www.igema.com

Telephone: +49 2501 924 24 0
Telefax: +49 2501 924 24 99
info@igema.com

