



Float switch

BA14

Application and function

The float switch can be used as a water level limiter on steam generators.

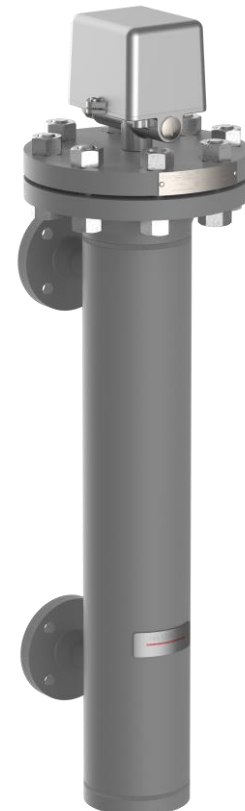
The product complies with EU Directive 2014/68/EU and bears the CE mark with the identification number 0035 at the notified body. Applied standards are EN 12952 / EN 12953 and ASME-Boiler and Pressure Vessel Code. The regulations taken into account are AD2000.

Technical basic equipment

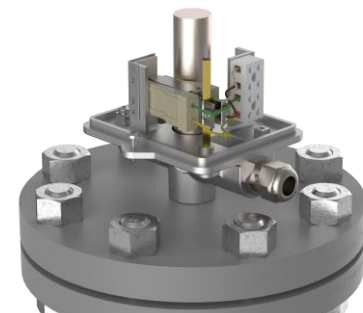
- Design made of pressure vessel steel
- Protection class according to DIN VDE 0470: IP54
- Process connection: Flanges according to DIN or ASME
- Magnetic lock switch type M130-KG
- Cable gland M20x1.5
- Drain plug G 1/2"

Optional versions

- Protection class according to DIN VDE 0470: IP65
- Process connection: Welding end, welding socket
- Level indicator (signal lamps)
- Ventilation plug
- Customised drain valves



BA14 PN40 DN25



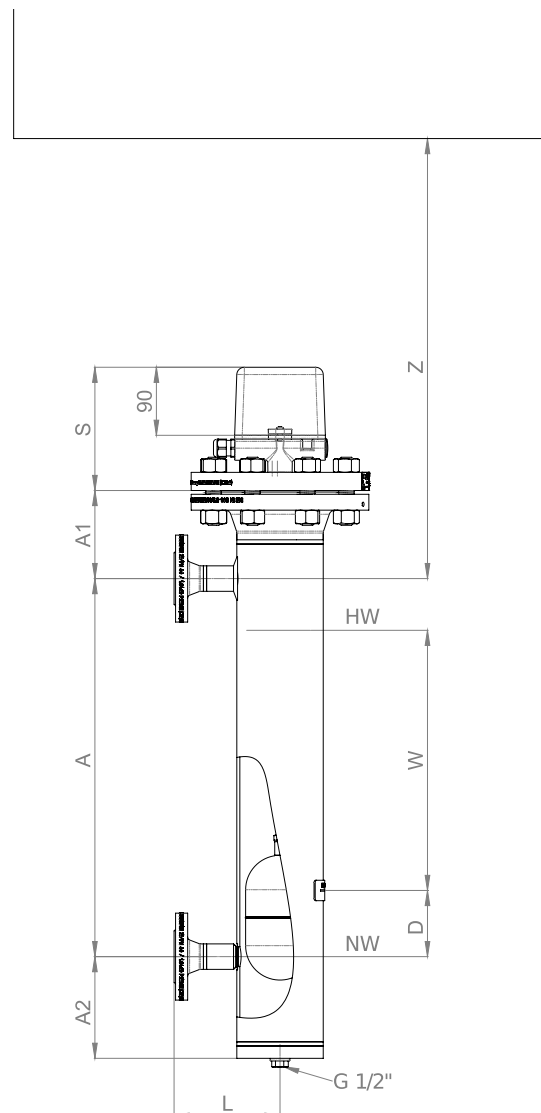
BA14 Switch housing
with 1x M130KG

Technical data

Application limits BA14				
EC type-examination certificate no.: Z-D-002-10439/14				
Perm. Pressure	PS [bar]	32	50	80
Perm. Temperature	TS [°C]	239	265	296
Switch adjustment range	W [mm]	40mm / 1 4/7"		

The component code is only valid if shut-off valves are fitted between the process connection and the boiler connection piece and a drain valve is fitted at the bottom of the housing.

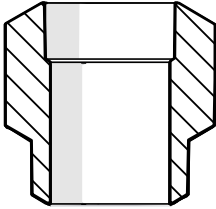
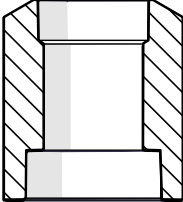
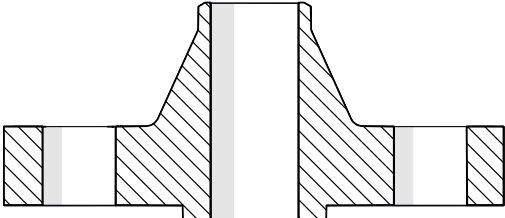
Dimensions and sizes



PS	A1	A2	L	S	Z
32	115	135	140	165	A+D+465
80	145	155	160	190	A+D+465

The available A dimension is related to various factors such as float buoyancy and flange connection. It must therefore be checked in consultation with Igema GmbH.

Available dimensions

Available process connections		
Welding end	Socket welding	Flange
		

Basic equipment

The float switch is supplied with a drain plug G 1/2" and a switch housing according to protection class DIN VDE 0470: IP54 with built-in magnetic lockout switch M130-KG. Customer-specific equipment is possible.



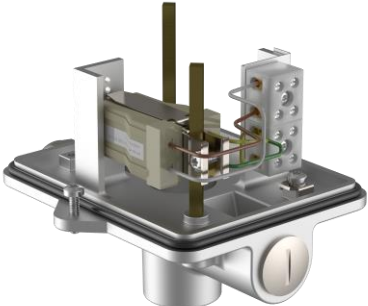


Drain plug G 1/2"



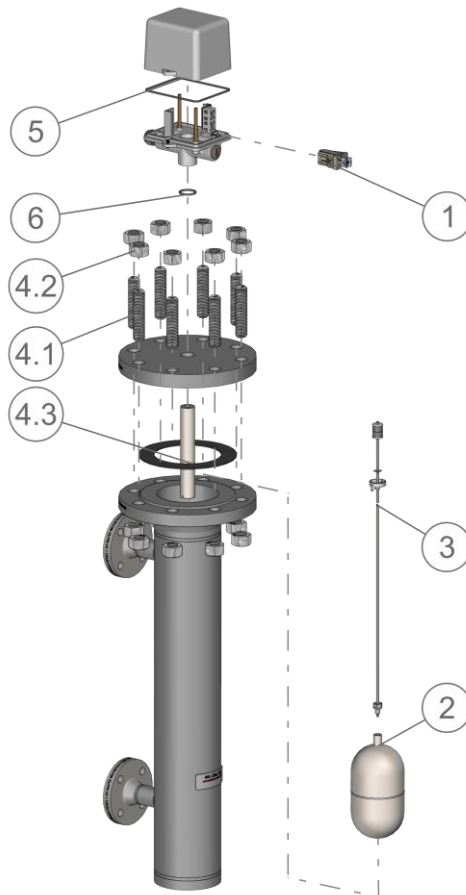
Magnetic lock switch M130-KG

Accessories and optional versions

Examples of the optional design		
Customised drain valve	Higher protection types of the switch housing	
		
Ex.: AV520	Ex.: AV250	Ex.: Protection type according to DIN VDE 0470: IP65

Spare parts

Pos.	Description	Size	Article No.	Quantity	
1	Magnetic lock switch M130-KG	-	15-01122	-	
2	Floater	-	40-00918	1	
3	Floating equipment	-	15-000006	1	
4.1, 4.2, 4.3	Connecting kit for flange	32bar	DN100 (DIN 2697)	15-03379	1
		80bar		15-03362	
4.3	Sealing ring	32bar	Ø 115 x 168 x 2 mm (DIN2690)	40-00193	(1)
	Grooved metal gasket	50bar	DN100 (DIN 2697)	40-01309	(1)
		80-100bar		40-00200	(1)
5	O-ring	110x3mm	40-00301	(1)	
6	O-ring	24,2x3mm	40-00300	1	





Direct download



Product page on the Internet

Igema GmbH

Antwerpener Str. 1
48163 Muenster
Germany

www.igema.com

Telephone: +49 25 01 924 24 0
Telefax: +49 25 01 924 24 99
info@igema.com

