

# Float switch

## Type BA14

### Application and function

The float switch can be used as water level limiter for steam generators  
 The product corresponds to the EU 2014/68/EU and has the CE-mark no. 0035 of the notified body. Applied standards as per EN 12952 / EN 12953 and ASME Boiler and Pressure Vessel Code. Considered regulations AD2000.

### Technical basic equipment

- Material according to DIN or ASME
- Protection as per DIN VDE 0470: IP54
- Process connection: flanges as per DIN or ANSI
- Magnetic switch type M130-KG
- Cable gland according to DIN EN 50262: M20x1,5
- Drain plug G 1/2"

### Available (optional) versions

- Protection as per DIN VDE 0470: IP65
- Process connection: welding end, Socket Welding
- Level indication (signal lamps)
- Ventilation screw
- Drain valve AV 250 (other drain valves on request)

### Technical data

EG-component test	Certificate No.: Z-D-002-10441/14			
Allowable pressure	PS [bar]	32	50	80
Allowable temperature	TS [°C]	239	265	296
Drain valve	Type	AV250		
Range of adjustment	W [mm]	40		

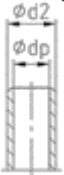
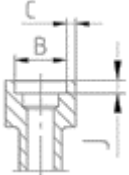


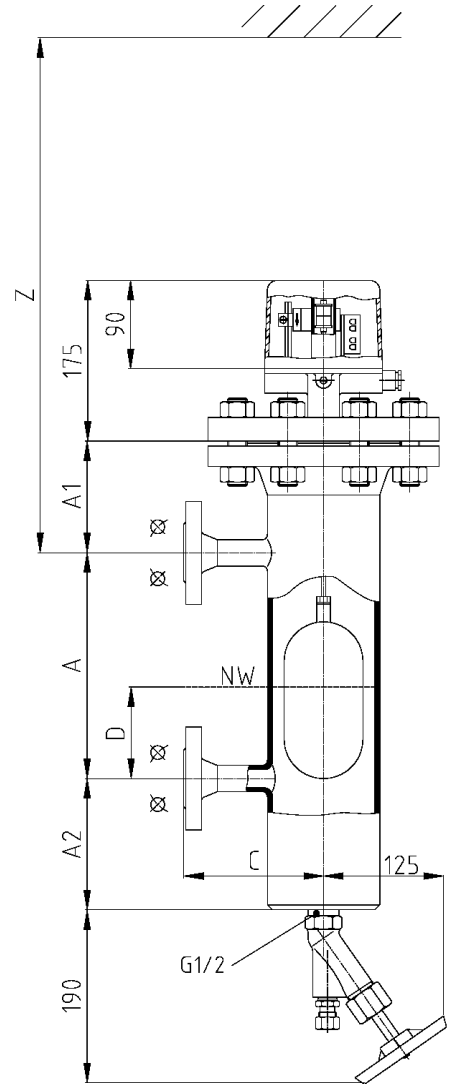
## Dimensions

- The component mark is only valid if shutoff valves are installed between process connection and boiler studs. A drain valve is also required
- The functional test is made by lowering the water level in the standpipe

PS	A1	A2	L	Z
32	115	135	140	A+D+465
80	145	155	160	A+D+465

### Process connection

Welding end	Socket welding
	



## Digital Documentation

