



## Float switch

Type RBJ54 / RBJ64

### Application and function

The float switch can be used as a water level controller or water level limiter for installation in steam generators.

The product complies with EU Directive 2014/68/EU and bears the CE mark with the identification number 0035 of the notified body. Applied standards EN 12952 / EN 12953 and ASME-Boiler and Pressure Vessel Code. Considered regulations AD2000.

### Technical basic equipment

- EC type-examination with certificate no: Z-D-002-1-441/14
- Designed to protection class IP54 according to DIN VDE 0470
- Process connection: Flange DN 100
- Magnetic lockout switch type M130-KG for 24VDC / 250VAC
- Cable gland according to DIN EN 50262: M20x1.5
- Manual test magnet

### Optional version

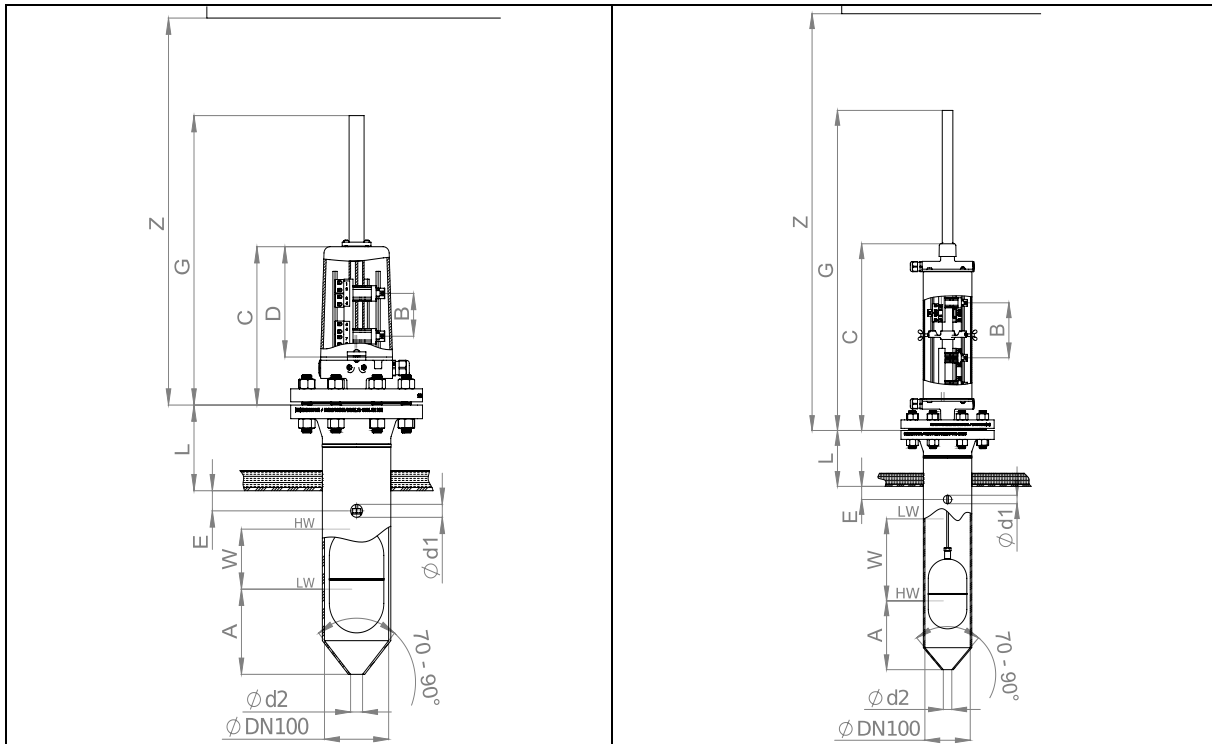
- RBJ54 designed to protection class IP65 according to DIN VDE 0470



## Technical data

Operating limits RBJ54 / RBJ64	perm. pressure[PS]	perm. temperature [TS]
	80 bar 1160 psig	296 °C 563 °F

## Dimensions



		RBJ54		RBJ64	
		[mm]	[inch]	[mm]	[inch]
Switch adjustment range	W1	100	4	250	9 <sup>5</sup> / <sub>6</sub>
	W2	150	6		
Installation height	G1	440	17 <sup>1</sup> / <sub>3</sub>	780	30 <sup>5</sup> / <sub>7</sub>
	G2	550	21 <sup>2</sup> / <sub>3</sub>		
Mounting height*	Z1	L+h+410	L+h+16 <sup>1</sup> / <sub>7</sub>	L+h+575	L+h+22 <sup>2</sup> / <sub>3</sub>
	Z2	L+h+460	L+h+18 <sup>1</sup> / <sub>9</sub>		
Safety swimming area	A	min. 140	min. 5 <sup>1</sup> / <sub>2</sub>	min. 140	min. 5 <sup>1</sup> / <sub>2</sub>
Switch distance	B	min. 25	min. 1	min. 25	min. 1
Switch housing height	C	W+150	W+6	W+150	W+6
Housing cover height	D	W+70	W+2 <sup>3</sup> / <sub>4</sub>	-	-
Installation dimension to the vent hole	E	20	<sup>4</sup> / <sub>5</sub>	20	<sup>4</sup> / <sub>5</sub>
Vent hole	$\phi d1$	20	<sup>4</sup> / <sub>5</sub>	20	<sup>4</sup> / <sub>5</sub>
Flood hole	$\phi d2$	20	<sup>4</sup> / <sub>5</sub>	20	<sup>4</sup> / <sub>5</sub>

\*L+h → max 800mm

## Basic equipment

The float switch is supplied with a switch housing in accordance with protection class DIN VDE 0470: IP54 with built-in magnetic switch M130-KG. Customised equipment is possible.

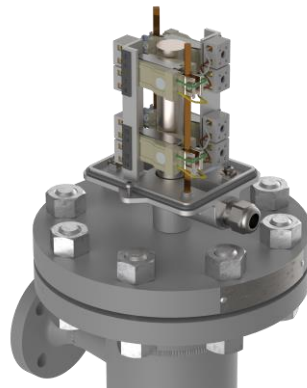


*Magnetic switch M130-KG*

The component label is only valid if the installation housing corresponds to the illustration.

## Optional versions

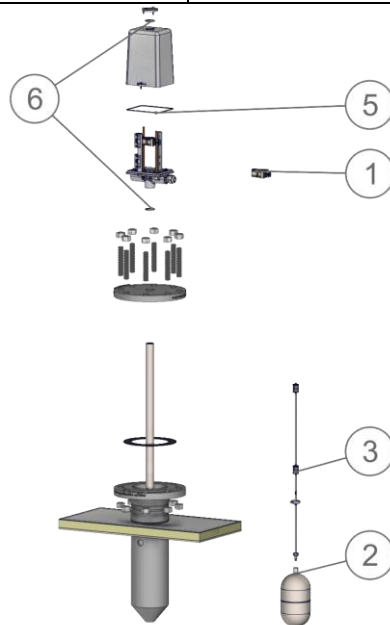
### Higher protection type for the switch housing



*Ex.: Protection type on RBJ 54 accorded to DIN VDE 0470: IP65*

## Spare parts

Pos.	Description	Size	Article-No.	Quantity
1	Magnetic switchM130-KG	-	15-01122	-
2	Floater	-	40-00918	1
3	Floating device	-	15-000006	1
5	O-Ring	110x3mm	40-00301	(1) *
6	O-Ring	24,2x3mm	40-00300	(2) * <sup>1</sup>



\*with switch housing to IP65 for RBJ54

\*1 only for RBJ54

Installation housing, screws, nuts and seals are not included in the scope of delivery, but are available on request.

## Digital documentation



Direct download



Product page on the Internet

### Igema GmbH

Antwerpener Str. 1  
48163 Muenster  
Germany

www.igema.com

Phone: +49 2501 924 24 0  
Telefax: +49 2501 924 24 99  
info@igema.com



www.tuv.com  
ID: 0091004092