



## Magnetic level gauge

NA7-50, NA7-52, NA7-80, NA7-110 and NA7-150

### Application and function

The magnetic level gauge is an indirect liquid level indicator. The liquid level to be observed in the tank is transferred analogously in a ratio of 1:1 by a float to the magnetic indicator bar.

This product complies with EU Directive 2014/68/EU. The applicable regulations are AD2000 and the ASME Boiler and Pressure Vessel Code.

### Technical basic equipment

- Parts in contact with media made of stainless steel
- Indicator bar AL2-G
- Drain and vent plugs
- Process connections (customer-specific)

### Optional versions

- Version with drain and vent valve
- Magnetic switch type M510-1-60
- Additional transmitter type MRK 110
- Luminous band indicator LB16 for optical transmission of the filling level
- ATEX version (2014/34/EU) II 3G  $\text{Ex}$ -h II C T2 Gc
- With bypass and measuring probe V86
- Other float types

*Attention! Not all options can be combined with each other.*



NA7-50

## Technical data

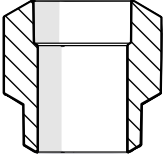
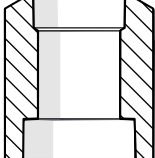
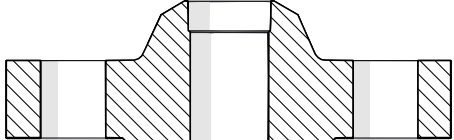
Application limits NA7	Permissible pressure [PS]	Permissible temperature [TS]
NA7-50	20bar 290psig	214°C 417°F
NA7-52	50bar 725psig	265°C 509°F
NA7-80	80bar 1160psig	296°C 564°F
NA7-110	110bar 1595psig	318°C 604°F
NA7-150	150bar 2175psig	342°C 647°F

## Dimensions and sizes

The indicator strip can be positioned anywhere outside the area of the connection pipes. If the display range is > 2.6 m, it is necessary to arrange two or more display strips one above the other. Unit lengths > 6 m are executed in a split housing design with intermediate flanges.

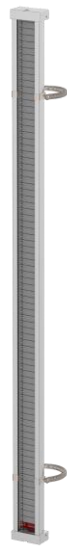
NA7-50 and NA7-52 with vent plug at the top and drain plug at the bottom	Display range > 2.6 m
	<p>Display range &gt; 6 m</p>

## Available process connections

Process connections		
Welding end	Socket welding	Flange
		

## Basic configuration

The magnetic flap indicators are equipped with the AL2-G indicator strip and drain and vent plugs.



AL2-G indicator strip



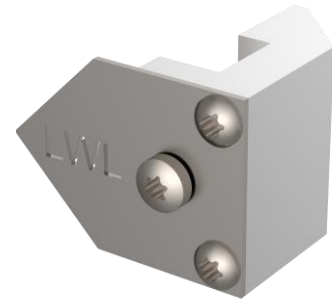
vent plug

Type	Data sheet number	Article number
AL2-G	D-06-D-50334-EN	10-10502

Floater				
Indicator type	Pressure	Density ( $\text{kg}/\text{dm}^3$ )	Article number	Dimension A <sub>2</sub>
NA7-50 / NA7-52	< PN25	0,85-1	15-12501	272
	< PN40	0,78-0,85	15-12973	287
	< PN63	0,78-0,815	15-12974	392
NA7-80	PS 80 bar	0,72-0,78	40-11869	347
NA7-110	PS 110 bar	0,63-0,72	40-11879	507
NA7-150	PS 150 bar	0,62-0,68	40-11886	607

## Accessories and optional versions

Description	Labeling	Article no.
Water level mark	HHWL	40-04502
	HWL	40-04501
	NWL	40-04500
	LWL	40-04499
	LLWL	40-04498



The fastening element with item number 25-14980 is required for fastening the water level mark.

Examples of the optional versions			
With customised drain valve	Additional transmitter	ATEX-Version	With one or more magnetic switches
<p><i>E.g.: AV250</i></p>	<p><i>E.g.: MRK 110</i></p>		<p><i>E.g.: M510-1-60</i></p>

Type	Data sheet number	Article number
AV250 Cutting ring screw connection DS12	D-09-D-54181-EN	15-16613
Magnetic switch Type M510-1-60	D-06-D-50380-EN	15-03037
Transmitter MRK 110	D-06-D-52503-EN	see datasheet

With bypass and probe V86



E.g.: NA7-130

The liquid level to be measured by the V86 probe is continuously measured in the bypass by high-frequency microwave pulses guided through a tube.

A version with bypass is possible for measuring ranges <6m.

The probe is additionally approved as a high and low water limiter.

It has an automatic runtime adjustment and can thus compensate for temperature fluctuations.

The probe is suitable for use in hazardous areas and has various marine approvals.

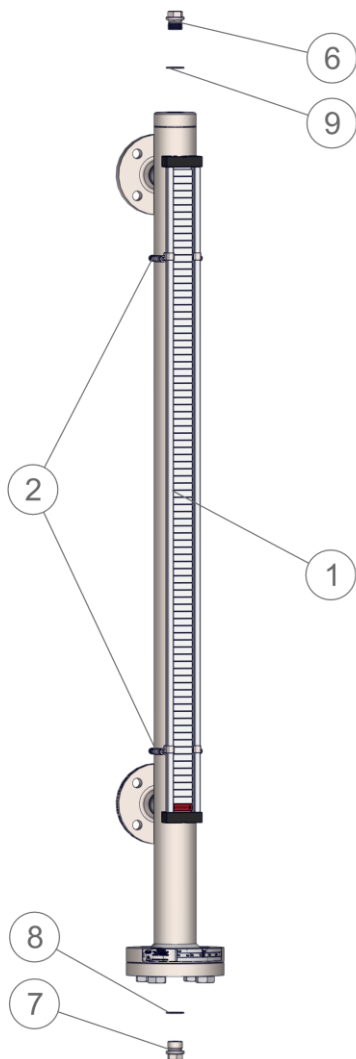
Approvals according to ATEX, IEC, GL, LRS and ABS are possible.

Measuring accuracy	± 2mm
Operating voltage	9,6 . . . 35 VDC
Output signal	4 . . . 20mA / HART
Protection class	IP66/67
Process temperature	-196 . . . +400°C
Ambient temperature	-40 . . . +80°C

Optional floats				
Indicator type	Pressure	Density ( $\text{kg}/\text{dm}^3$ )	Article number	Dimension A2
NA7-50 / NA7-52	< PN25	1,1	15-16178	217
		0,78-0,85	15-14790	272
		0,683-0,78	15-13319	302
		0,585-0,683	15-14829	372
	< PN40	0,85-1	15-15048	257
	< PN63	1,3	15-17496	227
NA7-80	PS 80bar	0,85-1	40-11870	287
		0,78-0,85	40-11871	347
		0,68-0,78	40-11873	407
		0,63-0,72	40-11872	507
		0,60-0,68	40-11874	607
NA7-110	PS 110bar	0,85-1	40-11875	347
		0,78-0,85	40-11876	407
		0,72-0,78	40-11877	407
		0,68-0,78	40-11878	507
		0,60-0,68	40-11880	607
NA7-150	PS 150bar	0,85-1	40-11881	347
		0,78-0,85	40-11882	407
		0,72-0,78	40-11883	407
		0,68-0,78	40-11884	507
		0,63-0,72	40-11885	507

## Spare parts

Pos.	Designation	Size	Article no.	Quantity
1	Indicator bar AL2-G	0-1000mm Measuring range	10-10502	1
2	Fastening elements	-	15-00250	2
3	Manual test magnet	-	40-00768	1
4	Magnetic switch M510-1-60-G	-	15-03037	-
6	Venting screw	G 1/2"	40-10492	1
7	Drain screw			1
8	Sealing ring	21 x 26 x 1,5mm	40-00128	1
9				1



Pos. 3



Float see table



*Direct download*



*Product page on the Internet*

**Igema GmbH**

Antwerpener Str. 1  
48163 Münster  
Germany

[www.igema.com](http://www.igema.com)

Phone: +49 (0) 25 01 / 924 24-0  
Telefax: +49 (0) 25 01 / 924 24-99  
[info@igema.com](mailto:info@igema.com)

