



Remote level gauge

Type G

Application and function

The remote indicator type G can be used in accordance with TRD 401 for any steam generator - except continuous steam generators.

This product complies with EU Directive 2014/68/EU. The applicable regulations are AD2000 and the ASME Boiler and Pressure Vessel Code.

The geodetic pressure difference between two water columns is transmitted to a blue indicator liquid in the remote indicator. The indicator liquid is insoluble in water and non-toxic.

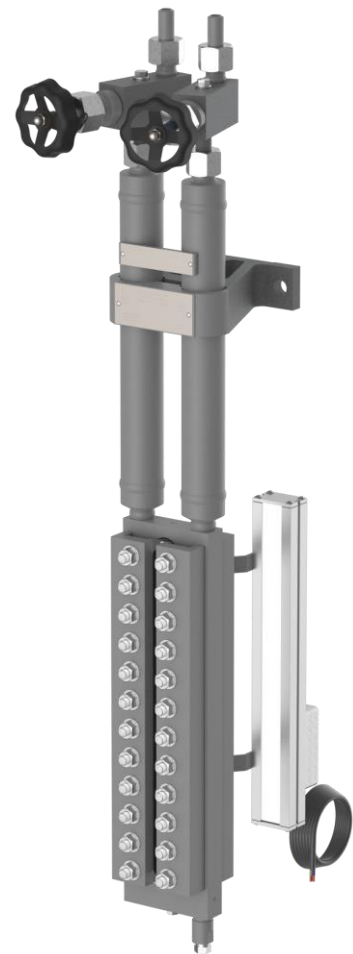
The height of the indicator liquid column reflects the water level in the steam drum on a scale of 1:1 or on a reduced scale.

Technical basic equipment

- Stainless steel indicator body
- All internal valve parts made of stainless steel
- LEDSecure Slim illumination with protection class IP66
- Shut-off valves type HA300, HA310 and HA320
- Indicator valves type AF410
- Indicator liquid with application-specific density
- Valves with back-sealing to relieve the stuffing box packing

Optional versions

- Type HA valves with customised process connections according to DIN or ANSI

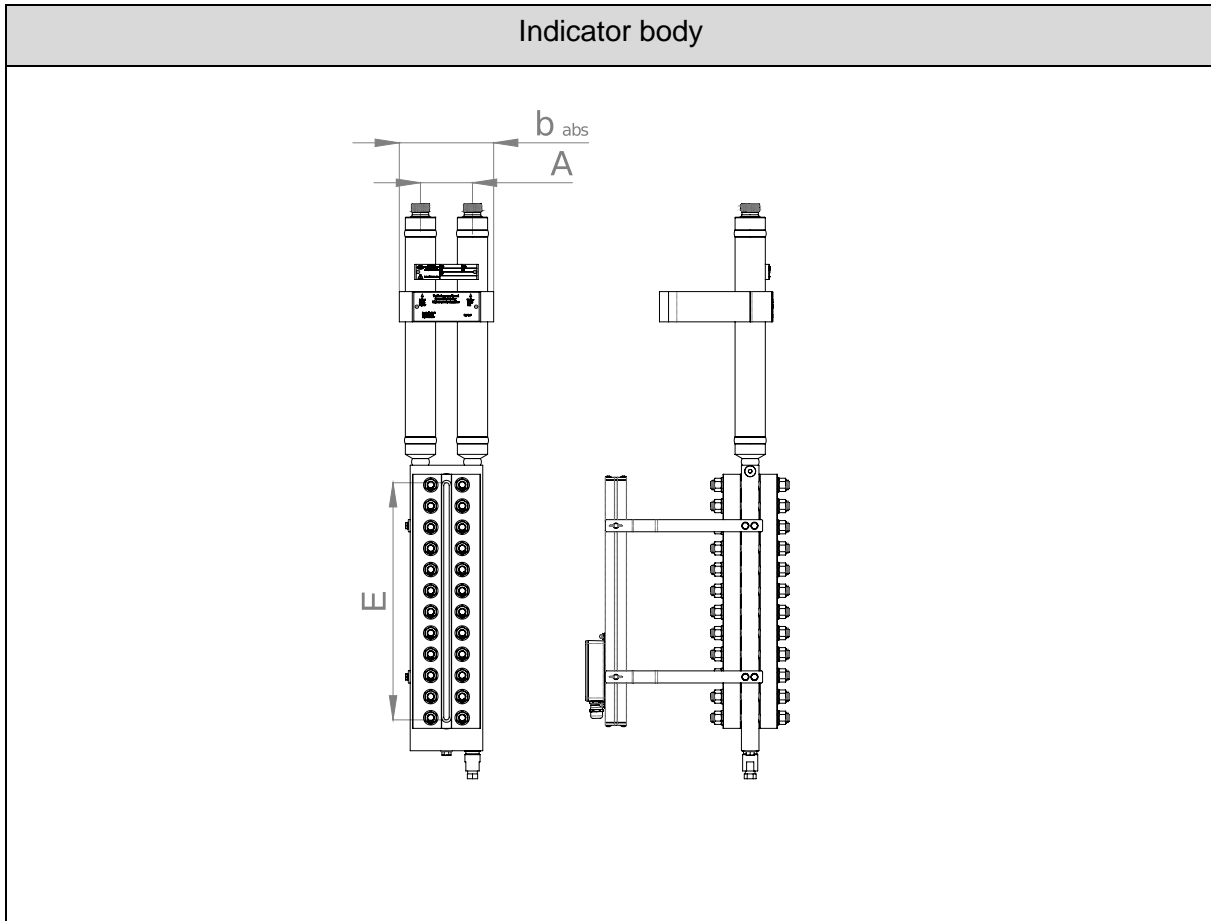


Remote level gauge
Type G E=390

Technical data

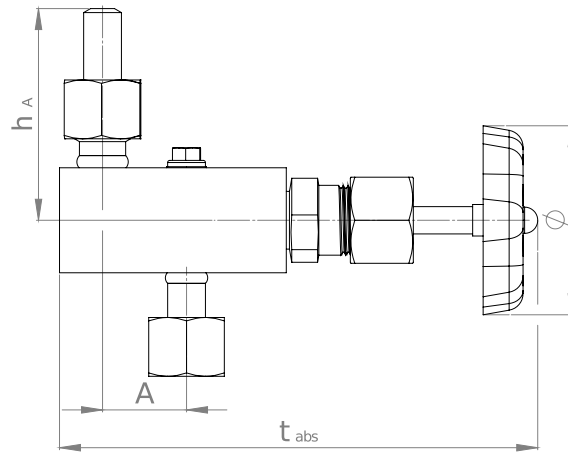
Operating limits Remote level gauge Type G	perm. Pressure [PS]	perm. Temperature [TS]
	180 bar 2610 psig	40 °C 104 °F

Dimensions and sizes



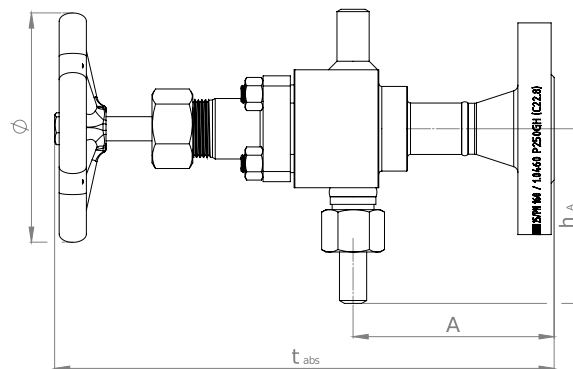
		[mm]		[inch]	
Display length	[E]	310 / 390		12 ¹ / ₅ / 15 ¹ / ₃	
Absolute width	[b_{abs}]	100 bar	180 bar	100 bar	180 bar
		156	200	6 ¹ / ₇	7 ⁷ / ₈
Connection dimension	[A]	86		3 ² / ₅	

AF410



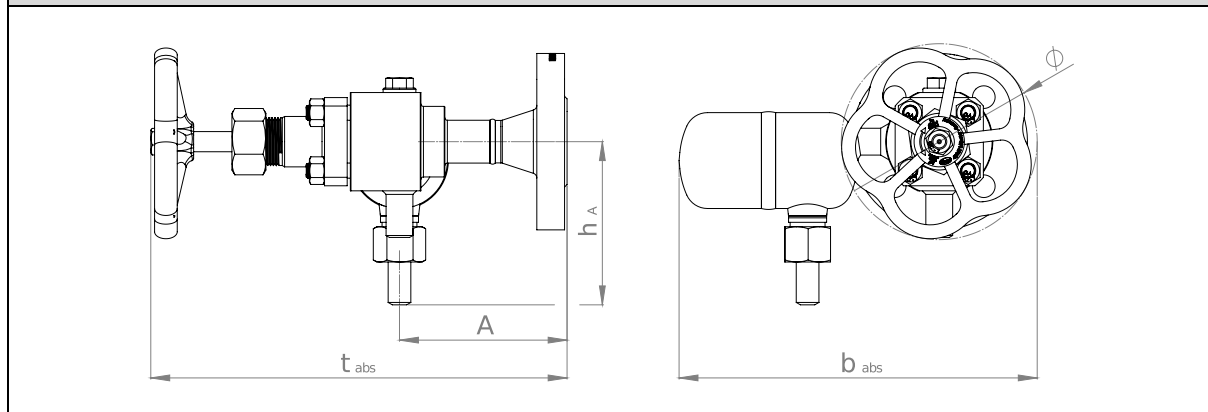
		[mm]	[inch]
Absolute depth	[t_{abs}]	228	9
Connection dimension	[A]	40	1 ⁴ / ₇
Connection height	[h_A]	100	4
Handwheel diameter	[Ø]	90	3 ¹ / ₂

HA300



		[mm]	[inch]
Connection dimension	[A]	133	5 ¹ / ₄
Absolute depth	[t_{abs}]	330	13
Connection height	[h_A]	115,5	4 ⁵ / ₉
Handwheel diameter	[Ø]	155	6 ¹ / ₉

HA310 / HA320*

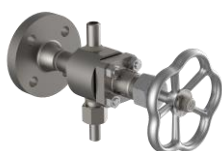


		[mm]	[inch]
Connection dimension	[A]	133	5 1/4
Absolute depth	[t_{abs}]	330	13
Connection height	[h_A]	129,5	5
Absolute width	[b_{abs}]	284,25	11 1/5
Handwheel diameter	[Ø]	155	6 1/9

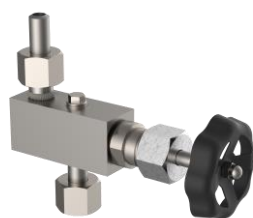
* The HA320 valve is a mirror image of the HA310.

The valves shown are equipped with a DN25 flange. Due to other customer-specific designs, the dimensions of the valves vary.

Basic equipment



Shut-off valves to the remote indicator




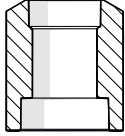
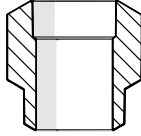
Indicator valve



Lighting device LED Secure Slim

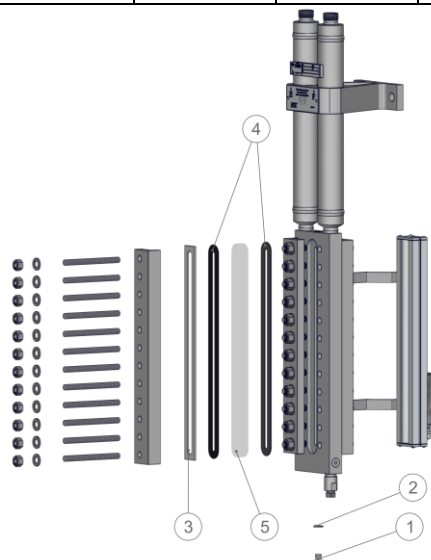
Type	Data sheet	Article No.
Shut off valve HA300 Flange DN25	-	15-00321
Shut off valve HA310 Flange DN25		15-00227
Shut off valve HA320 Flange DN25		15-10107
Indicator valve AF410	-	15-00235
Lighting device LED Secure Slim	D-A1-D-51865-EN	see data sheet

Optional versions

Examples of the optional versions	
Valves HA300 / HA310 / HA320 with customised process connections	
 <p>Ex.: HA300 with welding end Ø33,7 x 3,2</p>	 <p>Socket welding</p>
	 <p>Welding end</p>

Spare parts

Pos.	Description	Size	Article No.	Quantity	
1	Screw plug	G 1/4"	40-10493	1	
2	Sealing ring	13,5 x 19 x 1,5 mm	40-00127	1	
3	Pressure plate	E=310	100 bar	40-00429	2
			180 bar		
		E=390	100 bar	40-00420	
			180 bar		
4	Sealing	E=310	100 bar	40-00247	4
			180 bar		
		E=390	100 bar	40-00248	
			180 bar		
5	Glass	E=310	100 bar	40-00026	2
			180 bar	40-00007	
		E=390	100 bar	40-00010	
			180 bar	40-00028	





Direct download



Product page on the Internet

Igema GmbH

Antwerpener Str. 1
48163 Muenster
Germany

www.igema.com

Telephone: +49 2501 924 24-0
Telefax: +49 2501 924 24-99
info@igema.com

