



Bicolour level gauge

Type Black-white – lateral version

Application and function

The bicolour level gauge is a direct level indicator with lighting device that is used on boilers and pressure vessels.

This product complies with EU Directive 2014/68/EU. The applicable regulations are AD2000 and the ASME Boiler and Pressure Vessel Code.

The bi-colour level gauge is also suitable in accordance with DIN EN 12952-7 and DIN EN 12953-6 as a water level indicator for shell boilers and water tube boilers.

Due to the different refraction of the background light through the indicator, the liquid appears black and the vapour space white at the viewing opening of the indicator, making the indicator ideal for video transmission of the liquid level to a monitor in the control room.

Technical basic equipment

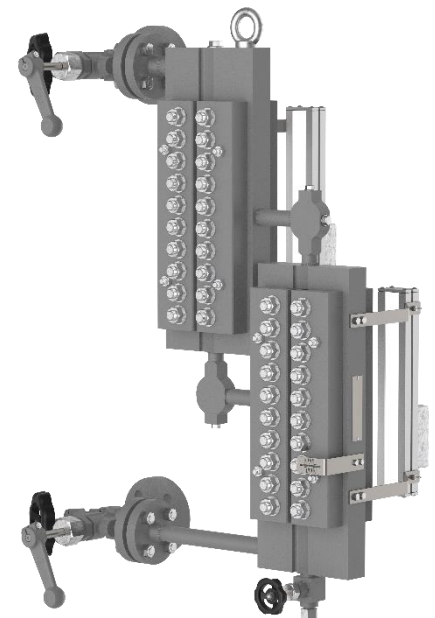
- Indicator body made of pressure vessel steel
- Available as left-hand or right-hand model
- Inspection lengths according to tables
- Vent plugs
- LED Secure Slim lighting device
- Double shut-off valve
 - Type A220-CS up to 120 bar / Type A240 up to 200 bar
- Drain valve
 - Type AV250 up to 180bar / Type AV320 up to 200bar

Optional versions

- Shut-off valves with single shut-off
 - Type A150-CS up to 120 bar / Type A190 up to 200 bar
- Vent valve
- Double drain valve
- Customised shut-off and drain connections



*Black and white level gauge
Lateral design
Simple display opening*

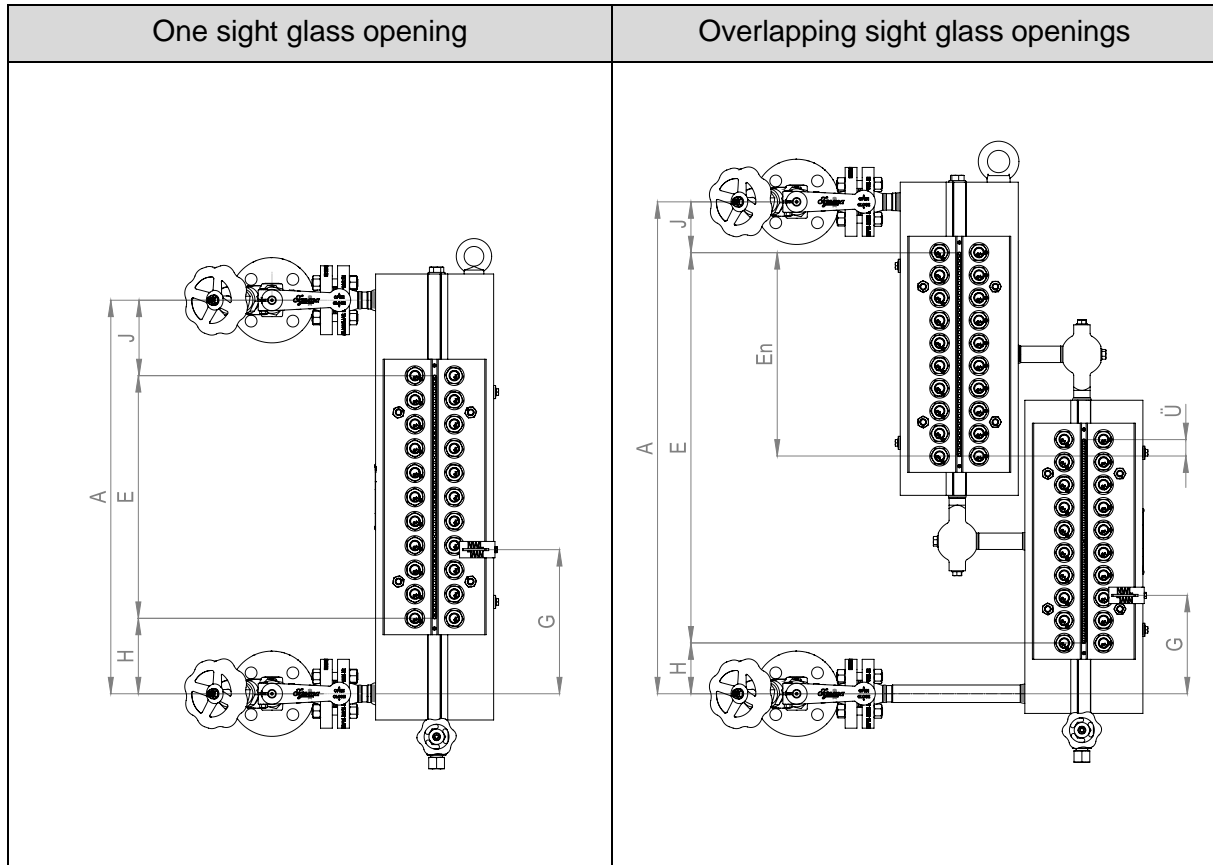


*Black and white level gauge
Lateral design
Staggered display openings*

Technical data

Operating limits Black-white level gauge, lateral version	perm. pressure [PS]	perm. temperature [TS]
	200 bar 2900 psig	367 °C 690 °F

Dimensions and sizes



The indicators shown are left-hand models.
The dimensions H, J and A must be specified individually.

		min.		max.			
				One sight glass opening		Overlapping sight glass openings	
		[mm]	[inch]	[mm]	[inch]	[mm]	[inch]
Upper blind space	[J]	25	1	on request			
Lower blind space	[H]						
Overlapping	[Ü]	25mm / 1"					

Available dimensions

	Größe	Sight length (Dimension E)		Process connection dimension (Dimension A)			
		[mm]	[inch]	min.		max.	
				[mm]	[inch]	[mm]	[inch]
One sight glass opening	5	190	7 1/2	240	9 4/9	on request	
	6	220	8 2/3	270	10 5/8		
	7	250	9 5/6	300	11 4/5		
	8	280	11	330	13		
	9	310	12 1/5	360	14 1/6		
	10	330	13	380	15		
	11	370	14 4/7	420	16 1/2		
Overlapping sight glass openings	7/nv	$E = (n \times E_n) - [(n-1) \times \ddot{U}]$		$A = E + H_{\min} + J_{\min}$		on request	
	9/nv						
	9/nv						
	10/nv						
	11/nv						



NOTICE

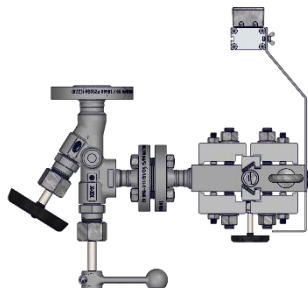
Material damage due to weight load

If the indicator weighs 30kg or more, the connecting elements are overloaded and no longer provide a secure, tight connection.

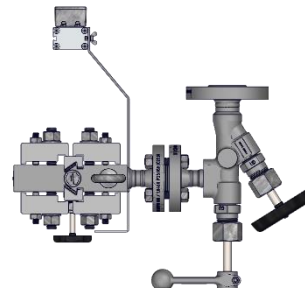
- Provide sufficient support. (e.g. with spring hangers)

Possible display orientations

Left



Right



Basic equipment

Depending on the pressure level, the transparent indicators shown are equipped with an A220-CS or A240 shut-off valve, an AV250 or AV320 drain valve and an LED Secure Slim HT lighting device. Customised equipment is possible.



Ex.: Shut off valve A240



Ex.: Drain valve AV320



LED Secure Slim




Type	Data sheet	Article-No.
Double shut off valve A220-CS	D-09-D-50502-EN	see data sheet
Double shut off valve A240		
Drain valve AV320 Cutting ring screw connection DS12	D-09-D-54181-EN	15-14753
LED Secure Slim	D-A1-D-51865-EN	see data sheet

Accessories and optional versions

Description	Inscription	Article-No.
Water level mark	HHWL	40-04497
	HWL	40-04496
	NWL	40-04495
	LWL	40-04494
	LLWL	40-04493



Water level mark NWL

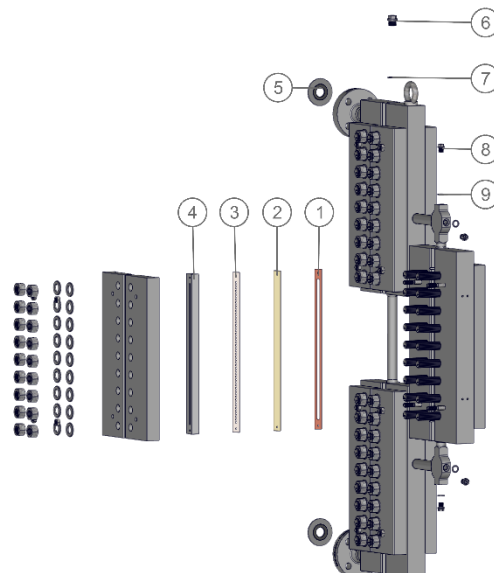
Examples of the optional versions		
Single shut-off valve	Double drain valve	Customer-specific drain valves
 <p><i>Ex. A150-CS</i></p>	 <p><i>Ex. AV251</i></p>	 <p><i>Ex.: AV520</i></p>

Type	Data sheet	Article-No.
Single shut-off valve A150-CS	D-09-D-50582-EN	see data sheet
Double drain valve AV251 Cutting ring screw connection DS12	D-09-D-61489-EN	15-14733
Drain valve AV520 Cutting ring screw connection DS12	D-09-D-50514-EN	40-01845

Spare parts

Pos.	Description	Size	Article-No.		Quantity
			PS 120 bar	PS 200 bar	
1,2,3	Spare parts kit	5	15-13103	15-13117	n x 1
		6	15-13104	15-13118	
		7	15-13105	15-13119	
		8	15-13106	15-13120	
		9	15-13107	15-13121	
		10	15-13108	15-13122	
		11	15-13109	15-13123	
4	Pressure plate	5	25-00273		n x 2
		6	25-00274		
		7	25-00275		
		8	25-00276		
		9	25-00277		
		10	25-00278		
		11	25-00279		
5	Sealing	PN40, DN15	40-00156		2
		PN63-160, DN15	40-00206		
		Class 300-600 NPS 3/4"	40-01536		
		Class 900 NPS 3/4"	40-01591		
6	Screw plug	G 1/2"	40-10481		1
7	Sealing ring	Ø21 x Ø26 x 1,5mm	40-00099		1
8	Screw plug	G 1/4"	40-03794		4
9	Sealing ring	Ø13,5 x Ø19 x 1,5mm	40-00114		4

Spare parts kit consisting of 2x seals, 2x mica pack and 2x perforated plate.
n = Number of inspection openings





Direct download



Product page on the Internet

Igema GmbH

Antwerpener Str. 1
48163 Muenster
Germany

www.igema.com

Telephone: +49 25 01 924 24 0
Telefax: +49 25 01 924 24 99
info@igema.com

