



## Transparent level gauge

TG40 / TG120

### Application and function

The transparent indicator is a direct water level indicator with lighting device, which is mainly used on pressurised containers. Thanks to the brilliant LED backlighting, the level is clearly recognisable at all times.

This product complies with EU Directive 2014/68/EU. The applicable regulations are AD2000 and the ASME Boiler and Pressure Vessel Code.

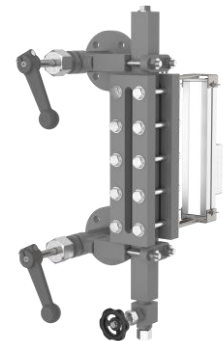
The transparent level gauge is suitable in accordance with DIN EN 12952-7 and DIN EN 12953-6 as a water level indicator for shell boilers and water tube boilers.

### Technical basic equipment

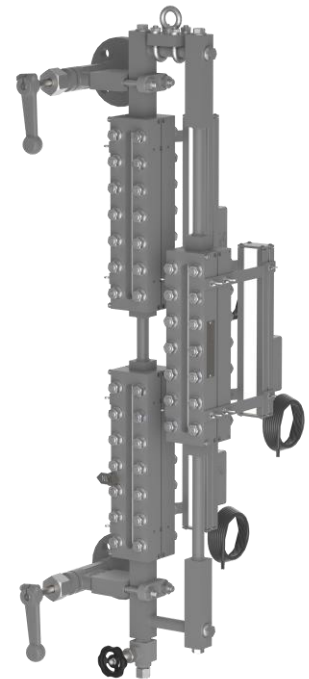
- Display body made of pressure vessel steel
- Free selectable display orientation
- Shut-off valves
  - A120-CS for TG40
  - A140-CS for TG120
- LEDSecure Slim lighting device with protection class IP66
- Drain valve type AV250
- Vent plug BSP G ½ "
- Sight glass made of borosilicate according to DIN 7081
- Glass protection for the TG40 with one mica per side, for the TG120 with 2 micas per side

### Optional versions

- Stainless steel design
- Customised shut-off valves
- Customised drain connection
- Inclined design
- LEDSecure Slim lighting 24V DC
- Vent valve



*TG40 Size 7  
Single display opening*



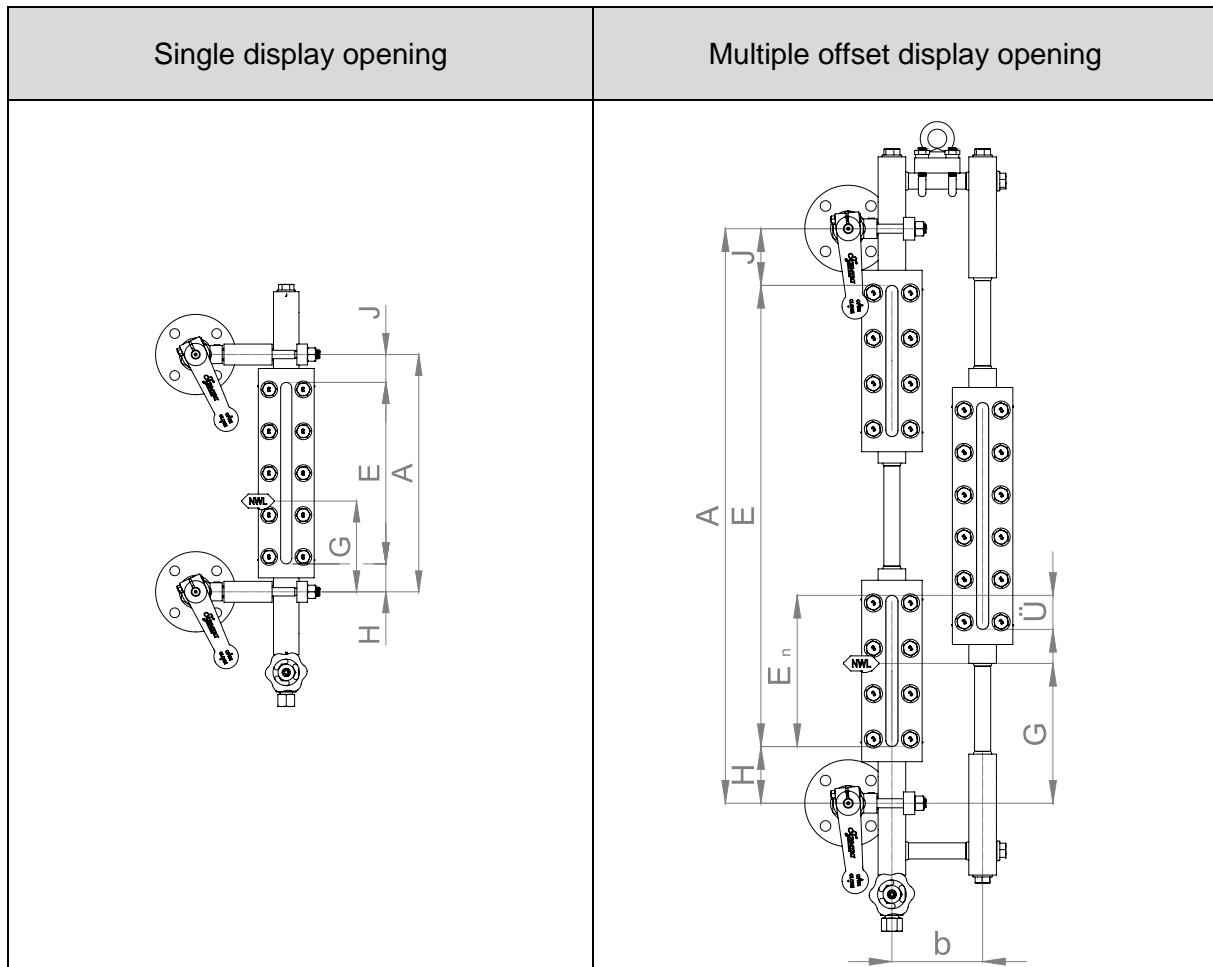
*TG120 Size 8/8 3v  
Multiple offset display opening*

## Technical data

Operating limits TG40	perm. Pressure <b>[PS]</b>	perm. temperature <b>[TS]</b>
Medium with glass attack (e.g. water vapour)	32 bar 464 psig	239 °C 458 °F
Medium without glass attack (e.g. nitrogen)	40 bar psig	50 °C 122°F
	28 bar psig	280 °C 536°F

Operating limits TG120	perm. Pressure <b>[PS]</b>	perm. temperature <b>[TS]</b>
Medium with glass attack (e.g. water vapour)	120bar 1740 psig	326°C 618°F
Medium without glass attack (e.g. nitrogen)	160bar 2320 psig	-10 bis 50°C 14 bis 122°F
	120bar 1740 psig	326°C 618°F

## Dimensions and sizes



The indicators shown are left-hand models of type TG40.

The H and J dimensions must be specified individually.

The A dimension is calculated using the show length E and the H and J dimensions.

		min.		max.			
				Single display opening		Multiple offset display opening	
		[mm]	[inch]	[mm]	[inch]	[mm]	[inch]
Upper blind space	[J]	40	1 <sup>4</sup> / <sub>7</sub>	100	4	110	4 <sup>1</sup> / <sub>3</sub>
Lower blind space	[H]	40	1 <sup>4</sup> / <sub>7</sub>	100	4	110	4 <sup>1</sup> / <sub>3</sub>
Overlap	[Ü]	min. 26mm / 1"					
Width	[b]	120mm / 4 <sup>5</sup> / <sub>7</sub> "					

## Available dimensions

	Size	Display length (Dimension E)		Process connection dimension (Dimension A)				Article-No. <sup>1)</sup>	
		[mm]	[inch]	min.		max.		TG40	TG120
				[mm]	[inch]	[mm]	[inch]		
Single display opening	5	200	7 7/8	280	11	400	15 3/4	15-17141	15-14603
	6	230	9	310	12 1/5	430	17	15-17142	15-14604
	7	260	10 1/4	340	13 2/5	460	18 1/9	15-17143	15-14605
	8	300	11 4/5	380	15	500	19 2/3	15-17144	15-14606
	9	320	12 3/5	400	15 3/4	520	20 1/2	15-17145	15-14607
	10	350	13 7/9	430	17	550	21 2/3	15-17146	15-14608
	11	380	15	460	18 1/9	580	23 5/8	15-18840	15-14609
Multiple offset display opening	5/8 2v	470	18 1/2	550	21 2/3	690	27 1/6	15-18858	15-14627
	5/5 3v	610	24	690	27 1/6	830	32 2/3	15-18859	15-14628
	8/8 3v	750	29 1/2	830	32 2/3	970	38 1/5	15-18860	15-14629
	5/5 4v	890	35	970	38 1/5	1110	43 5/7	15-18861	15-14630
	8/8 4v	1030	40 5/9	1110	43 5/7	1250	49 1/5	15-18862	15-14631
	5/5 5v	1170	46	1250	49 1/5	1390	54 5/7	15-18863	15-14632
	8/8 5v	1310	51 4/7	1390	54 5/7	1530	60 1/4	15-18864	15-14633
	5/5 6v	1450	57	1530	60 1/4	1670	65 3/4	15-18865	15-14634
	8/8 6v	1590	62 3/5	1670	65 3/4	1810	71 1/4	15-18866	15-14635
	5/5 7v	1730	68 1/9	1810	71 1/4	1950	76 7/9	15-18867	15-14636
	8/8 7v	1870	73 5/8	1950	76 7/9	2090	82 2/7	15-18868	15-14637
	5/5 8v	2010	79 1/7	2090	82 2/7	2230	87 4/5	15-18869	15-14638
	8/8 8v	2150	84 2/3	2230	87 4/5	2370	93 1/3	15-18870	15-14639
	5/8 9v	2290	90 1/6	2370	93 1/3	2510	98 5/6	15-18871	15-14340
	8/8 9v	2430	95 2/3	2510	98 5/6	2650	104 1/3	15-18872	15-14641
5/8 10v	2570	101 1/6	2650	104 1/3	2790	109 5/6	15-18873	15-14642	
8/8 10v	2710	106 2/3	2790	109 5/6	2930	115 1/3	15-18874	15-14643	

<sup>1)</sup>Article numbers excl. lighting, shut-off and drain valves



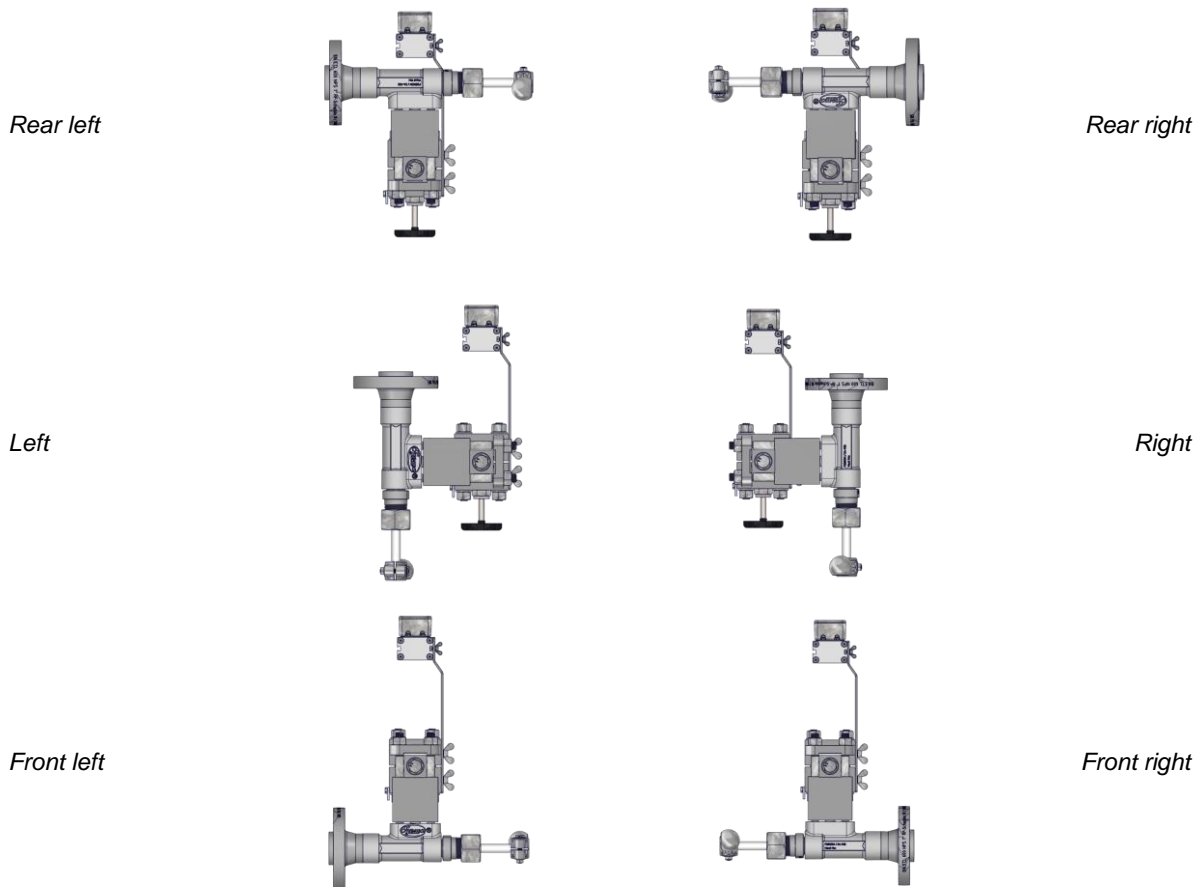
## HINWEIS

### Material damage due to weight load

From a weight of the indicator of 30kg, the connecting elements are overloaded and no longer represent a secure, tight connection.

- Provide sufficient support. (e.g. with spring hangers)

## Possible display orientations



The display orientations on a TG120 are shown as an example.

## Basic equipment

The transparent gauges shown are equipped with an A140-CS shut-off valve, an AV250 drain valve and an LED-Secure Slim lighting device.



Shut off valve A140-CS



Drain valve AV250



LED Secure Slim

Type	Data sheet	Article-No.
A140-CS PN160 DN25	D-09-D-50582-EN	15-13673
AV250 Cutting ring screw connection DS12	D-09-D-54181-EN	15-16613
LED Secure Slim	D-A1-D-51865-EN	see data sheet

## Accessories and optional versions

Description	Inscription	Article-No.
Water level mark	NW-LWL-NB	25-13645
	HHWL	25-13717
	HWL	25-13716
	NWL	25-13698
	LWL	25-13718
	LLWL	25-13719

Two thread-forming screws are required for fastening each water level marker. Item number: 40-11121



Water level mark NWL

### Examples of the optional versions

Double shut off valve	Double drain valve	Inclined version
<p><i>Ex.: A210-CS</i></p>	<p><i>Ex.: AV251</i></p>	<p><i>Ex.: TG120 inclined 15°</i></p>

Type	Datenblatt	Article-No.
Double shut off valve A210-CS	D-09-D-50502-EN	see data sheet
Double drain valve AV251 Cutting ring screw connection DS12	D-09-D-61489-EN	15-14733

## Spare parts

Pos.	Description	Size	Article-No.		Quantity
			TG40	TG120	
1	Screw plug	G 1/2"	40-00329	40-10481	1 <sup>1)</sup>
2	Sealing ring	21 x 26 x 1,5mm	40-00099		1 <sup>1)</sup>
3,4,5	Spare parts kit	5	15-13557	15-13067	n x 1
		6	15-13558	15-13068	n x 1
		7	15-13559	15-13069	n x 1
		8	15-13560	15-13070	n x 1
		9	15-13561	15-13071	n x 1
		10	15-13566	15-13072	n x 1
		11	15-13567	15-15458	n x 1

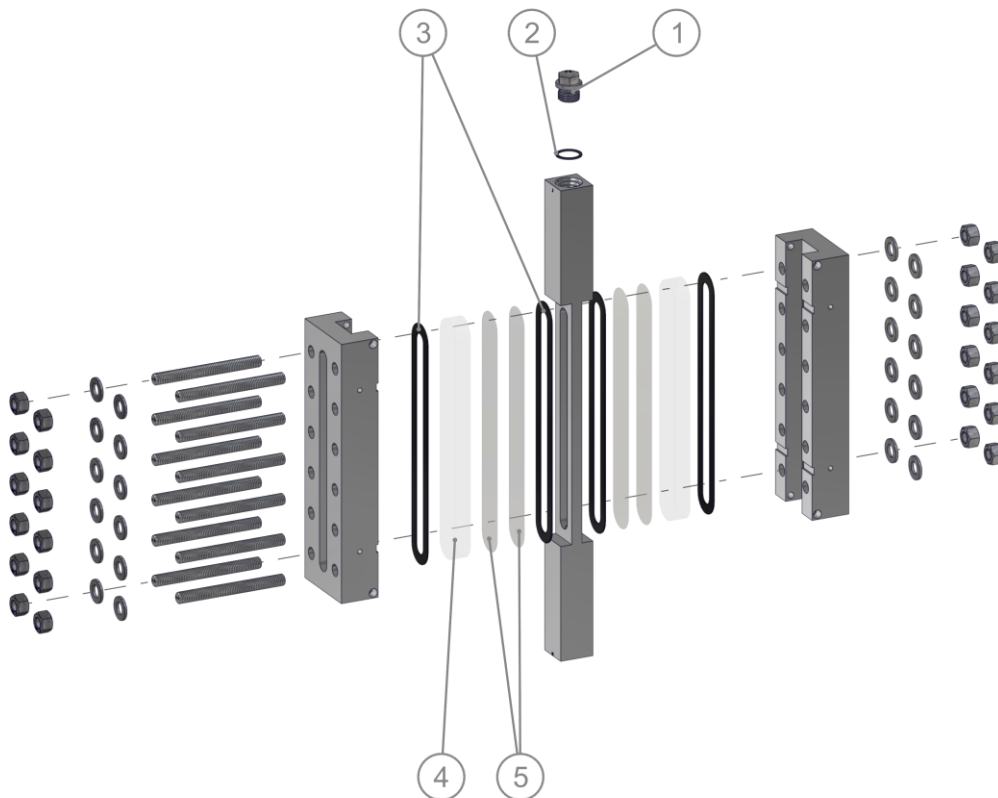
*n = number of display openings.*

<sup>1)</sup>For offset banner displays, item no.: 1&2 must be ordered a total of 5 times each.

Spare parts package 3,4,5 consisting of:

for TG40           4x seal, 2x transparent glass and 2x mica disc

for TG120        4x seal, 2x transparent glass and 4x mica disc





*Direct download*



*Product page on the Internet*

**Igema GmbH**

Antwerpener Str. 1  
48163 Muenster  
Germany

[www.igema.com](http://www.igema.com)

Telephone: +49 25 01 924 24 0  
Telefax: +49 25 01 924 24 99  
[info@igema.com](mailto:info@igema.com)

