



Reflex level gauge

RG40-CS

Application and function

The reflex level gauge is a direct water level indicator without lighting device, which is mainly used on pressure vessels. The special design of the reflective glass allows the level to be read directly without any other auxiliary devices.

This product complies with EU Directive 2014/68/EU. The applicable regulations are AD2000 and the ASME Boiler and Pressure Vessel Code.

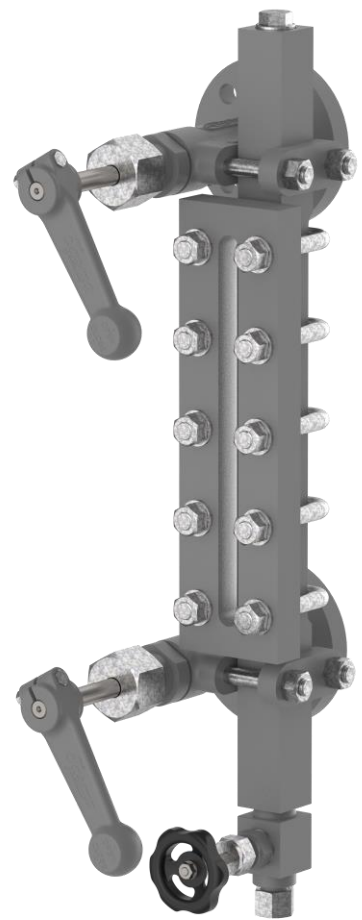
The reflex level gauge is suitable in accordance with DIN EN 12952-7 and DIN EN 12953-6 as a water level indicator for shell boilers and water tube boilers.

Technical basic equipment

- Materials made of heat-resistant pressure vessel steel
- Orientation of the process connection freely selectable
- Reflective sight glass made of borosilicate according to DIN 7081
- Vent plug BSP G $\frac{1}{2}$ ".
- Shut-off valve A120-CS PN40 / DN20 or DN25
- Drain valve type AV250

Optional versions

- Stainless steel version
- Customised process connections
- Vent valve
- Double shut-off valve
- Double drain valve
- Inclined version
- Version with calming section



RG40-CS

Technical data

Operating limits RG40-CS	Perm. Pressure [PS]	Perm. Temperature [TS]
Medium with glass attack (e.g. water vapour)	32 bar 464 psig	-10 bis 239 °C -4 bis 462 °F
Medium without glass attack (e.g. nitrogen)	20 bar 290 psig	-10 bis 280 °C -4 bis 536 °F
	40 bar 580 psig	-10 bis 50 °C 14 bis 122 °F

Dimensions and sizes

Single display opening					
		min.		max.	
		[mm]	[inch]	[mm]	[inch]
Upper blind space	[J]	40	1 ⁴ / ₇	100	4
Lower blind space	[H]	40	1 ⁴ / ₇	100	4

Available dimensions

Size	Display length (E-Dimension)		Process connection dimension (A-Dimension)				Article number ¹⁾
	[mm]	[inch]	Min.		Max.		
			[mm]	[inch]	[mm]	[inch]	
4	170	6 ² / ₃	250	9 ⁵ / ₆	370	14 ⁴ / ₇	15-17153
5	200	7 ⁷ / ₈	280	11	400	15 ³ / ₄	15-17154
6	230	9	310	12 ¹ / ₅	430	17	15-17155
7	260	10 ¹ / ₄	340	13 ² / ₅	460	18 ¹ / ₉	15-17156
8	300	11 ⁴ / ₅	380	15	500	19 ² / ₃	15-17157
9	320	12 ³ / ₅	400	15 ³ / ₄	520	20 ¹ / ₂	15-17158
10	350	13 ⁷ / ₉	430	17	550	21 ² / ₃	15-17159



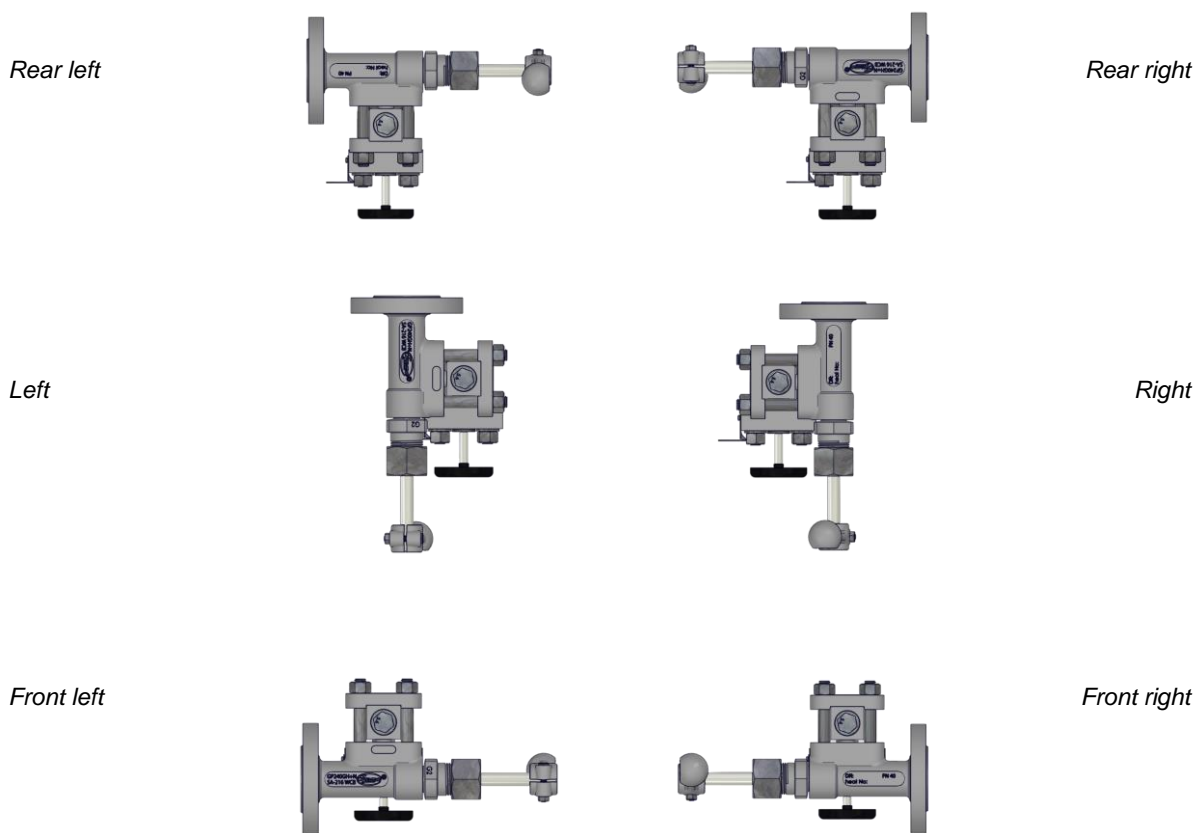
NOTICE

Material damage due to weight load

From a weight of the indicator of 30kg, the connecting elements are overloaded and no longer represent a secure, tight connection.

- Provide sufficient support (e.g. with spring hangers).

Possible display orientations



Basic equipment

The reflection indicators are equipped with an A120-CS shut-off valve and an AV250 drain valve. Customised equipment is possible.



Shut off valve A120-CS



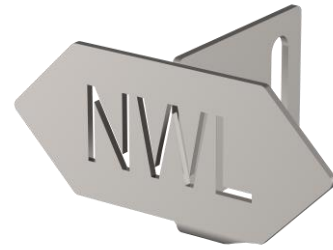
Drain valve AV250

Type	Data sheet	Article number
Shut off valve A120-CS Flange PN40 DN20	D-09-D-50581-DE	15-12656
Shut off valve A120-CS Flange PN40 DN25		15-10773
Drain valve AV250 Cutting ring screw connection DS12	D-09-D-50437-DE	15-16613

Accessories and optional versions

Accessories- Water level mark		
Description	Inscription	Article No.
Water level mark	NW-LWL-NB	25-13645
	HHWL	25-13717
	HWL	25-13716
	NWL	25-13698
	LWL	25-13718
	LLWL	25-13719

Two thread-forming screws are required for fixing each water level mark; item number: 40-11121.



Water level mark-NWL

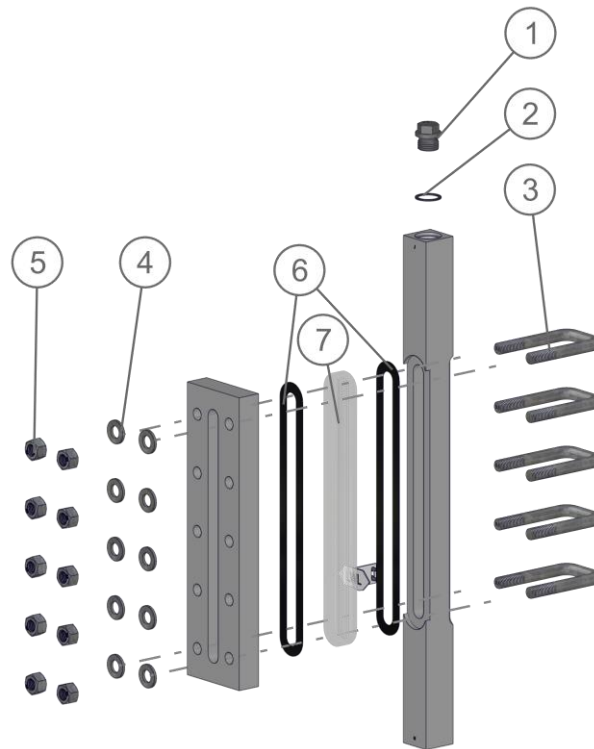
Examples of the optional versions

Double Shut off valve	Double drain valve	Stainless steel version
<p><i>Ex.: A210-CS</i></p>	<p><i>Ex.: AV251</i></p>	<p><i>Ex.: RG40 in stainless steel</i></p>

Spare parts

Pos.	Description	Size	Article No.	Quantity
1	Screw plug	G 1/2"	40-00329	1
2	Sealing ring	21 x 26 x 1,5 mm	40-00099	1
3,4,5	U-Screw kit	M12	15-18700	1
6-7	Spare parts kit	2	15-13051	n x 1
		3	15-13058	
		4	15-13059	
		5	15-13060	
		6	15-13061	
		7	15-13062	
		8	15-13063	
		9	15-13064	
		10	15-13065	

Spare parts kit consisting of 2x gaskets and 1x reflecting glass
n = number of show openings





Direct download



Product page on the Internet

Igema GmbH

Antwerpener Str. 1
48163 Muenster
Germany

www.igema.com

Telephone: +49 25 01 924 24 0
Telefax: +49 25 01 924 24 99
info@igema.com

