



Reflex level gauge

LG40-x2 one sight opening, lateral connection

Application and function

The reflex level gauge is a direct level gauge which can be used for steam boilers and containers. In the sight opening, the water level is indicated dark and the steam light.

This product is in accordance to EU-directive 2014/68/EU. Applied policy acc. to DIN EN 13445 and ASME Boiler and Pressure Vessel Code. Considered regulations AD2000. Furthermore, as a plant component for large water room boilers and water tube boilers, this product meets the requirements of the standards DIN EN 12952-7 and DIN EN 12953-6.

x = Quantity of shutoff possibilities (valve).

Technical basic equipment

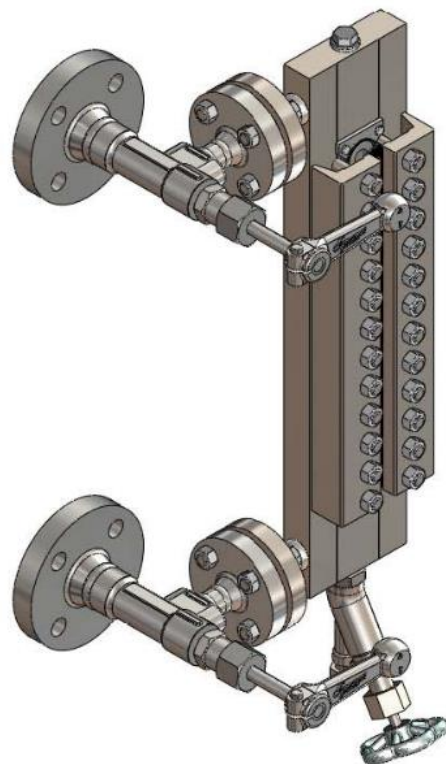
- Body material carbon steel
- Sight lengths see table
- Left-hand or right-hand model possible
- With drain valve and ventilation plug
- Shutoff valves A130 or A220
- Drain valve type AV500

Available (optional) versions

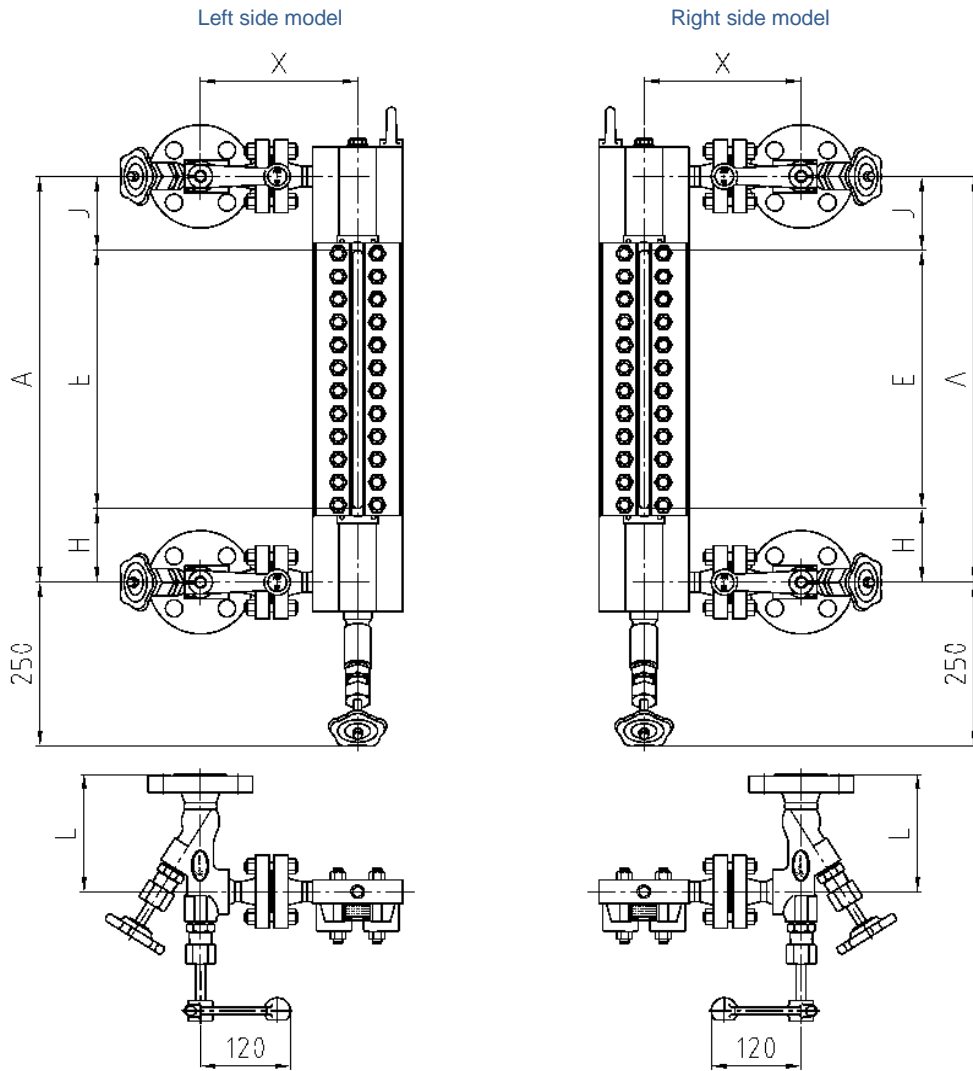
- Body material stainless steel
- Body material according to ASTM
- Other drain valve on request

Technical data

| | | | |
|------------------|------|-------|-----|
| All. pressure | PS | [bar] | 32 |
| All. temperature | TS | [°C] | 239 |
| Drain valve | Type | AV500 | |
| Shutoff valves | Type | A130 | |
| | Type | A220 | |



Dimensions



| Size | | 5 | 6 | 7 | 8 | 9 | 10 |
|---------------|-------------------------|------------|-----|-----|-----|-----|-----|
| Sight lengths | E [mm] | 200 | 230 | 260 | 300 | 320 | 350 |
| Dimension | H/J _{min} [mm] | 25 | | | | | |
| | H/J _{min} [mm] | On request | | | | | |
| | X [mm] | 210 | | | | | |

| Allowable pressure PS [bar] | Valve | Flange | L [mm] | Welding end | L1 [mm] |
|-----------------------------|-------|----------------------|--------|-----------------|---------|
| 32 | A130 | DN20 - DIN EN 1092-1 | 120 | | |
| 32 | A130 | DN20 - DIN EN 1092-1 | 120 | | |
| 32 | A130 | | | DN20 - DIN 3229 | 175 |
| 32 | A220 | DN20 - DIN EN 1092-1 | 170 | | |
| 32 | A220 | DN20 - DIN EN 1092-1 | 150 | | |
| 32 | A220 | | | DN25 - DIN 3229 | 175 |

Digital documentation

